

DS-2CD2412F-IW

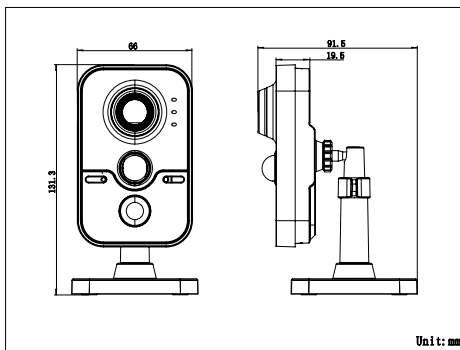
1.3 MP IR Cube Network Camera



Key Features

- Up to 1.3 LO (1280 x 960) Resolution
- HD Real-Time Video
- PIR Detection
- IR LEDs (Up to 10 Meters)
- DWDR, 3D DNR, and BLC
- Built-In Microphone and Speaker
- SD/SDHC/SDXC Card Slot (Up to 128 GB)
- Wi-Fi (WPS Connection)

Dimensions



Order Models

DS-2CD2412F-IW

DS-2CD2412F-IW	
Camera	
Image Sensor	1/3" progressive scan CMOS
Minimum Illumination	0.19 lux @ f/2.0, AGC on, 0 lux with IR
Shutter Speed	1/30 s to 1/100,000 s
Lens	4 mm @ f/2.0, angle of view: 73.1° (2.8 mm option)
Lens Mount	M12
Day/Night	ICR
Digital Noise Reduction	3D DNR
Wide Dynamic Range	Digital WDR
Backlight Compensation	Yes, zone configurable
Compression Standard	
Video Compression	H.264/MJPEG
H.264 Compression Profile	Main profile
Bit Rate	32 Kbps to 16 Mbps
Audio Compression	G.711/G.726
Audio Bit Rate	64 Kbps (G.711)/16 Kbps (G.726)
Image	
Maximum Image Resolution	1280 x 960
Frame Rate	60 Hz: 30 fps (1280 x 960), 30 fps (1280 x 720), 30 fps (704 x 576), 30 fps (640 x 480)
Image Settings	Saturation, brightness, contrast adjustable through client software or Web browser
Network	
Network Storage	NAS
Alarm Triggers	PIR detection, motion detection, tampering alarm, network disconnect, IP address conflict, storage exception, storage error
Protocols	TCP/IP, ICMP, HTTP, HTTPS, FTP, DHCP, DNS, DDNS, RTP, RTSP, RTCP, PPPoE, NTP, UPnP, SMTP, SNMP, IGMP, 802.1X, QoS, IPv6, Bonjour
System Compatibility	ONVIF, PSIA, CGI, ISAPI
General Functionalities	Flickerless, dual stream, heartbeat, mirror, user authentication, video mask, watermark
Interface	
Communication Interface	1 RJ-45 10M/100M Ethernet port
On-Board Storage	Built-in microSD/SDHC/SDXC card slot, up to 128 GB
Alarm I/O	1/1
WiFi Parameters	
WiFi Standards	IEEE802.11b/g/n
Frequency Range	2.4 GHz to 2.4835 GHz
Communication Bandwidth	Supports 20/40 MHz
Security	64/128-bit WEP, WPA/WPA2, WPA-PSK/WPA2-PSK, WPS
Transmission Rate	11b: 11 Mbps, 11g: 54 Mbps, 11n: 135 Mbps
General	
Operating Conditions	-30° C to 60° C (-22° F to 140° F), humidity 95% or less (non-condensing)
Power	12 VDC ±10%, PoE (802.3af)
Power Consumption	Maximum 5 W
PIR Detection Range	Maximum 10 meters
PIR Detection Angle	80°
IR Range	Maximum 10 meters
Dimensions (mm)	66 mm x 70.6 mm x 131.1 mm (2.60" x 2.78" x 5.48")
Weight	400 g (0.88 lbs)