

MV-CL020-40GM

2048 Pixels Line Scan GigE Camera

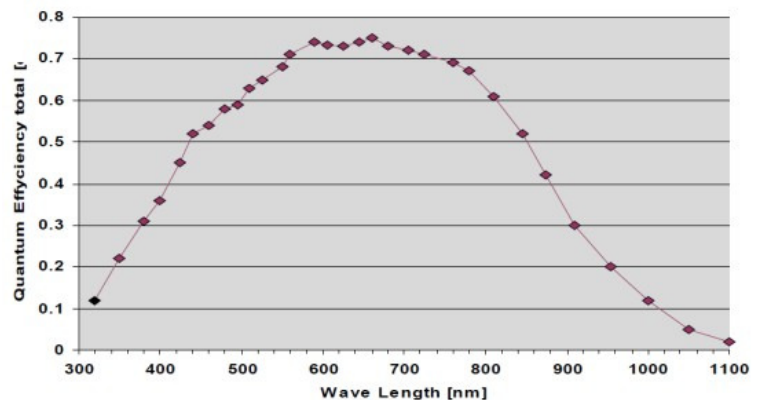
- 1 Gbps Ethernet Interface
- Transmits 300 ft (100 m) w/o Relays
- 128 MB On-Board Buffer, for Image Bursts
- Auto Exposure Control, LUT, Gamma Correction
- Synchronize Cameras with Hard/Soft Trigger
- Multiple Exposure Modes
- Region of Interest Output
- Multiple Lens Mounts via Adapter
- GigE Vision v1.2 Compliant



The Hikvision MV-CL020-40GM Line Scan GigE Camera is a high quality device that can be used in a variety of applications, including printing inspection, food sorting, pharma inspection, ITS, and logistics inspection.

Available Model: MV-CL020-40GM (mono)

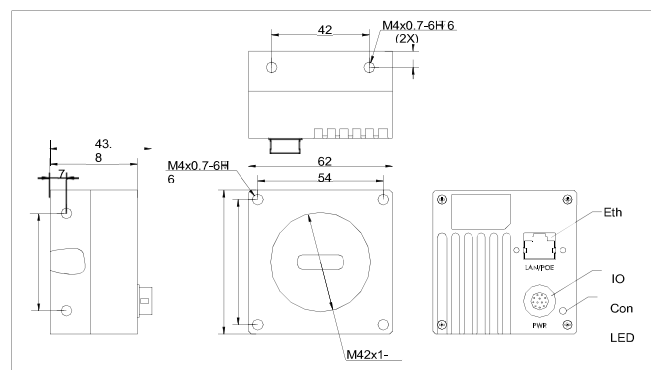
MV-CL020-40GM Quantum Efficiency



Specifications

MV-CL020-40GM	
Camera	
Type	2k pixels line scan GigE camera
Sensor	Awaiba DR2K7
Pixel Size	7 μ m
Horizontal Frequency	1 Hz to 51 kHz
A/D Converter Bits	12 bits
Image Data Bits	8, 10, 12 bits
Shutter Mode	Fixed exposure time mode, PWM mode
Dynamic Range	>60 dB
SNR	>40 dB
Image Processing	Gamma, lookup table
Gamma Correction	0 to 4.00, programmable lookup table
Binning	1/2/3/4 binning
ROI	1 ROI
Mirroring	Horizontal mirroring
Flat Field (PRNU) Correction	Supported
Gain Control	Manual set
Gain Range	0 dB to 11.7 dB
Minimum Exposure Time	2 μ s
Network	Gigabit Ethernet
Transmission Rate	100/1000Mbps
GPIO	12-pin Hirose connector : 2 RS-422 inputs, 1 single-end input, 2 RS-422 outputs
External Trigger Mode	Software trigger or hardware external trigger
Image Buffer	128 MB
Data Format	Mono 8/10/10p/12/12p
General	
Power	<4 W @ 12 VDC, voltage 5 to 15 V, PoE
Temperature	Working temperature: 32° to 122° F (0° to 50° C) Storage temperature: -22° to 158° F (-30 to 70° C)
Dimension	2.4" x 2.4" x 1.48" (62 mm x 62 mm x 37.5 mm)
Weight	6 oz (170 g)
Lens Interface	M42 x 1.0 with back focus distance 12 mm; F mount or C mount lenses are supported with lens adapter
Software	MVS or third-party software supporting GigE Vision protocol
Operating System	Windows XP/7/8 32-/64-bit
Compliance	GigE Vision v1.2
Certification	CE, FCC, RoHS

Dimensions



Recommended Accessories

- **Power Adapter:** 12 VDC @1 A
- **NIC:** Intel Pro1000 or above version
- **Network Cable:** CAT5e or CAT6 network cable