

DS-2DE7230IW-AE

2 MP 30x Outdoor Network PTZ Dome Camera



- 1/2.8" Progressive Scan CMOS
- 1920 x 1080
- 30x Optical Zoom
- DWDR
- 3-D Intelligent Positioning Function
- Up to 492 ft (150 m) IR Range
- IP66, IK10
- 24 VAC/Hi-PoE (injector supplied), 60 W

Hikvision DS-2DE7230IW-AE PTZ Dome Cameras are embedded with a 1/2.8" progressive scan CMOS chip, which makes DWDR and 1.3 MP real-time resolution possible. With the 30x optical zoom Day/Night lens, the camera offers more details over expansive areas.

Hikvision DS-2DE7230IW-AE PTZ Dome Cameras also feature a wide range of functions, including intrusion detection, line crossing detection, and audio exception, benefitting users with great improvement on security efficiency and, more importantly, with key events/objects recorded for further forensic needs.

Available Models:

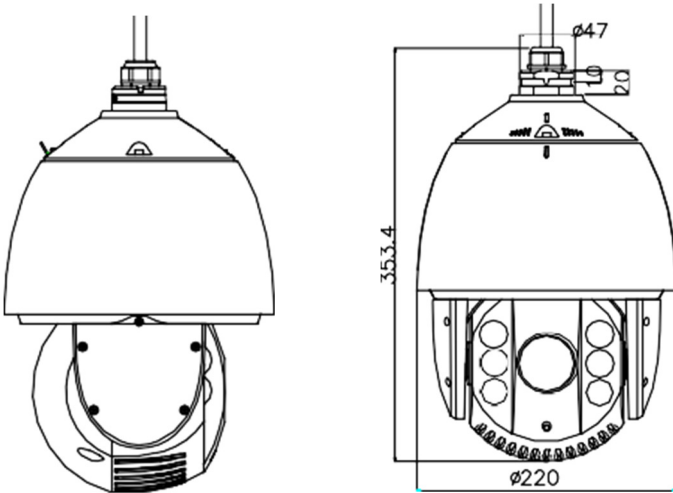
DS-2DE7230IW-AE






Specifications

	DS-2DE7230IW-AE
Camera Module	
Image Sensor	1/2.8" progressive scan CMOS
Minimum Illumination	f/1.6, AGC on; color: 0.05 lux; B/W: 0.01 lux; 0 lux with IR
Maximum Image Resolution	1920 x 1080
Focal Length	4.3 mm to 129.0 mm, 30x
Digital Zoom	16x
Zoom Speed	Approximately 3s (optical wide to tele)
Angle of View	65.5° to 2.11° (wide to tele)
Min. Working Distance	10 mm to 1,000 mm (wide to tele)
Aperture Range	f/1.6 to f/5.0
Focus Mode	Auto/semiautomatic/manual
DWDR	Supported
Shutter Speed	1s to 1/10,000s
AGC	Auto/manual
White Balance	Auto/manual/ATW/indoor/outdoor/daylight lamp/sodium lamp
Day/Night	IR cut filter
Privacy Mask	8 privacy masks programmable
Enhancement	3D DNR, defog, HLC/BLC
Pan and Tilt	
Range	Pan: 360° endless; tilt: -15° to 90° (auto flip)
Speed	Pan manual speed: 0.1° to 160°/s, pan preset speed: 240°/s; tilt manual speed: 0.1° to 120°/s, tilt preset speed: 200°/s
Number of Presets	300
Patrols	8 patrols, up to 32 presets per patrol
Patterns	4 pattern scans, record time over 10 minutes for each scan
Park Actions	Preset/patrol/pattern/pan scan/tilt scan/random scan/frame scan/panorama scan
Scheduled Tasks	Auto scan/frame scan/random scan/patrol/pattern/preset/panorama scan/tilt scan/dome reboot/dome adjust/aux output
Features	
Detection	Intrusion detection, line crossing detection, audio exception detection, motion detection
ROI Encoding	Supported
Infrared	
IR Distance	Up to 492 ft (150 m)
IR Intensity	Automatically adjusted, depending on the zoom ratio
Alarm	
Alarm I/O	2/1
Alarm Triggers	Tampering alarm, network disconnect, IP address conflict, storage exception
Alarm Actions	Preset, patrol, pattern, recording, relay output, upload center, upload FTP, e-mail linkage
Input/Output	
Audio Input	1 mic in/line in interface, line input: 2-2.4 V[p-p]; output impedance: 1K Ω , $\pm 10\%$
Audio Output	1 audio output interface, line level, impedance: 600 Ω
Network	
Ethernet	10Base-T/100Base-TX, RJ-45 connector
Streams	Supports three streams
Main Stream	60 Hz: 30 fps (1920 x 1080, 1280 x 960, 1280 x 720), 60 fps (1280 x 960, 1280 x 720)
Sub Stream	60 Hz: 30 fps (704 x 480, 640 x 480, 352 x 240)
Third Stream	60 Hz: 30 fps (1920 x 1080, 1280 x 960, 1280 x 720, 704 x 480, 640 x 480, 352 x 240)
Image Compression	H.264/MJPEG
Audio Compression	G.711ulaw/G.711alaw/G.726/MP2L2/G.722
Protocols	IPv4/IPv6, HTTP, HTTPS, 802.1X, QoS, FTP, SMTP, UPnP, SNMP, DNS, DDNS, NTP, RTSP, RTP, TCP, UDP, IGMP, ICMP, DHCP, PPPoE
Simultaneous Live Views	Up to 20 users
MicroSD Memory Card	Supports up to 128 GB microSD/SDHC/SDXC card. Supports Edge recording.
User/Host Level	Up to 32 users, 3 levels: administrator, operator, and user
Security Measures	User authentication (ID and PW); host authentication (MAC address); IP address filtering
System Integration	
Application Programming	Open-ended API, supports ONVIF, PSIA, and CG
Web Browsers	IE 7+, Chrome 18+, Firefox 5.0+, Safari 5.02+
Power	High-PoE and 24 VAC, maximum 40 W
Working Temperature	-22° to 149° F (-30° to 65° C)
Humidity	90% or less (non-condensing)
Protection Levels	IP66, TVS 4,000 V lightning protection, surge protection, and voltage transient protection
Certification	FCC, CE, UL, RoHS, IEC/EN 61000, IEC/EN 55022, IEC/EN 55024, IEC/EN60950-1
Dimensions	Ø8.66" x 13.91" (Ø220 mm x 353.4 mm)
Weight (approximate)	9.92 lbs (4.5 kg)

Dimensions



Accessories

						
JBPW-L Power Box Mount w/Wall Bracket	CMP-JB Corner Mount for JBPW-L	PMP-JB Pole Mount for JBPW-L	CPM-S Short Ceiling Pendant Mount	CPM-L Long Ceiling Pendant Mount	CPMPE Ceiling Pendant Mount Extension Pipe	RPM Roof Parapet Mount