

DS-KIS602

Modular IP Video Intercom Kit



DS-KD8003-IME1 Door Station

- 2 MP HD Video Intercom
- Access Control
- Noise Suppression and Echo Cancellation
- H.264 Video Compression
- Low Illumination
- Tamper Alarm
- Fisheye Camera with Supplemental IR Light
- Supports Sub-Module Access (Maximum of 8)
- Easy-To-Add Additional Modules

DS-KH6320-WTE1 Indoor Station

- New UI v2.0: User-Friendly Design
- 7" Colorful IPS Capacitive Touch Screen with 1024 x 600 Resolution
- Standard PoE
- Stores Messages and Captured Pictures on SD Card
- Remote Unlocking via Client Software or Mobile Client
- Views Live Videos of Door Stations and External Cameras
- Supports Wireless Network

The DS-KD8003-IME1 by Hikvision is a video door station that combines video intercom and access control functionality.

It features a high performance CMOS, H.264 video compression, and a supplemental IR lighting mode, which facilitates night-time visual recognition.

The DS-KH6320-WTE1 is a video intercom indoor station that features a 15.1 mm slim design and a colorful 7" capacitive touch screen.

It can be combined with other Hikvision products and used to set up security solutions with varying levels of sophistication.

The DS-3E0105P-E/M PoE Switch connects the video door station to the video intercom indoor station. It contains four PoE connection ports.

Available Models:

DS-KIS602 Kit:

- DS-KD8003-IME1 Door Station x 1
- DS-KD-ACW1 Surface Mount Cover/Frame x 1
- DS-KH6320-WTE1 Indoor Station x 1
- DS-3E0105P-E/M PoE Switch x 1
- Power Supply Unit (PSU) x 1
- 16 GB MicroSD Card x 1

Specifications

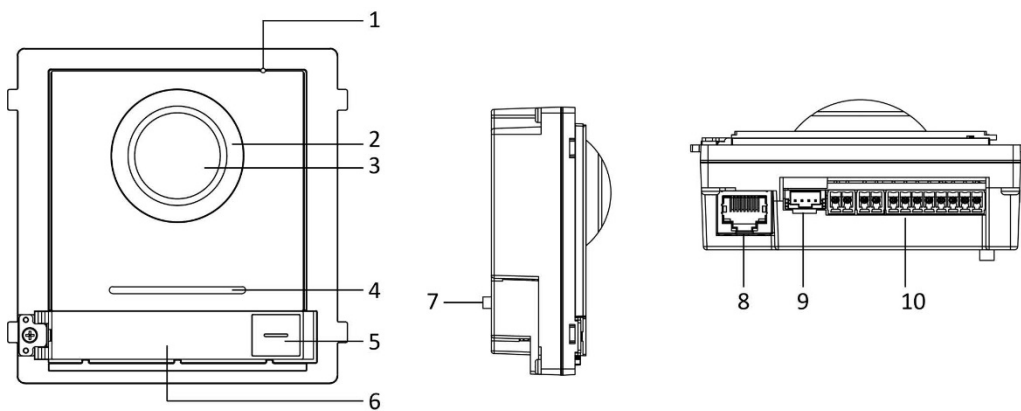
DS-KH6320-WTE1 Indoor Station	
System	
Memory	128 MB
Flash	32 GB
Operating System	Embedded Linux
Display	
Display Screen	7" colorful TFT LCD
Display Resolution	1024 x 600
Operation Method	Capacitive touchscreen
Audio	
Audio Input	Built-in omnidirectional microphone
Audio Output	Built-in loudspeaker
Audio Compression Standard	G.711u
Audio Compression Rate	64 kbps
Audio Quality	Noise suppression and echo cancellation
Network	
Wired Network	10/100 Mbps self-adaptive Ethernet
Wireless Network	Wi-Fi 802.11b/g/n
Network Protocol	TCP/IP, SIP, RTSP
Network Interface	1-port self-adaptive RJ-45 10/100 Mbps
Alarm Input	8-ch alarm inputs
Relay Output	2
MicroSD Card	Up to 32 GB, SD 2.0 or lower
RS-485	1
General	
Power Supply	IEEE802.3af, standard PoE 12 VDC/1 A
Power Consumption	≤6 W
Working Temperature	14° to 131° F (-10° to 55° C)
Working Humidity	10% to 90% non-condensing
Dimensions (W × H × D)	7.90" x 5.5" x 0.6" (200 mm x 140 mm x 15.1 mm)
DS-KD8003-IME1 Door Station	
System Parameters	
Processor	Embedded MCU
Operating System	Embedded Linux
Operation Method	Physical button
Video Parameters	
Camera	Low illumination 2 MP HD IR camera
Video Compression Standard	H.264
Resolution	Main stream: 1920 x 1080, sub stream: 720 x 480
BLC	Supported
DNR	Supported
WDR	Supported
Anti-Flicker	50 Hz, 60 Hz
Field of View	Horizontal: 180°, vertical: 96°
Audio Parameters	
Audio Input	Built-in omnidirectional microphone
Audio Output	Built-in loudspeaker (more than 85 dB within 20 cm)
Audio Compression Standard	G.711 U
Audio Compression Rate	64 kbps
Audio Quality	Noise suppression and echo cancellation
Light Supplement	
Light Supplement Mode	IR supplement
Network Parameters	
Ethernet	10/100 Mbps Self-Adaptive Ethernet
Network Protocol	TCP/IP, RTSP
Alarm Parameters	
Tampering Alarm	1
Interfaces	
Module-Connecting	1
I/O Input	4
Debug	1
Relay	2 (30 V, 1A)
General	
Physical Button	1
Power Supply	12 VDC/PoE (IEEE 802.3af)
Power Consumption	≤10 W
Working Temperature	-40° to 140° F (-40° to 60° C)
Working Humidity	10% to 95% non-condensing
IP Protection Level	IP65
Installation	Flush or surface mount with appropriate accessory (DS-KD-ACW1 surface mount package included)
Dimensions (L x W x H)	3.86" x 3.93" x 1.73" (98 mm x 99.8 mm x 43.9 mm)

Specifications (continued)

Model	DS-3E0105P-E/M PoE Switch
Port Number	4 x 100 Mbps PoE ports, 1 x 100 Mbps Ethernet port
Maximum Port Power	30 W
Poe Power Budget	35 W
Maximum Power Consumption	38 W
Shell	Metal material, fan-free design
Gross Weight	0.48 kg (1.06 lb)
Net Weight	0.2 kg (0.4 lb)
Dimension (L × H × D)	105 mm × 27.6 mm × 83.1 mm (4.1" × 1.1" × 3.3")
Power Supply	48 VDC, 0.8 A (included)

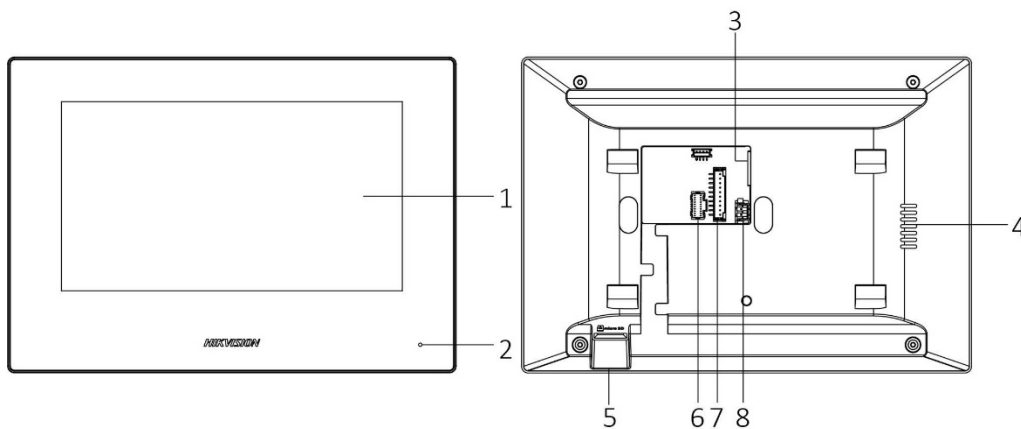
Model	DS-KD-ACW1 Surface Mount Cover and Frame Package	
	Cover	Installation Frame
Material	Aviation aluminum	
Working Temperature	-40° to +60° C (-40° to 140° F)	
Working Humidity	10% to 95% non-condensing	
Dimension (L x W x D)	117 mm x 107 mm × 4 mm (4.61" x 4.21" x 0.16")	117 mm x 107 mm × 32.7 mm (4.61" x 4.21" x 1.29")

Appearance and Interfaces



- | | |
|-----|--------------------------------------|
| 1. | Microphone |
| 2. | Low Illumination IR Supplement Light |
| 3. | Built-In Camera |
| 4. | Loudspeaker |
| 5. | Call Button |
| 6. | Nametag |
| 7. | Tamper |
| 8. | Network Interface |
| 9. | Module Connecting Interface (Output) |
| 10. | Terminals |

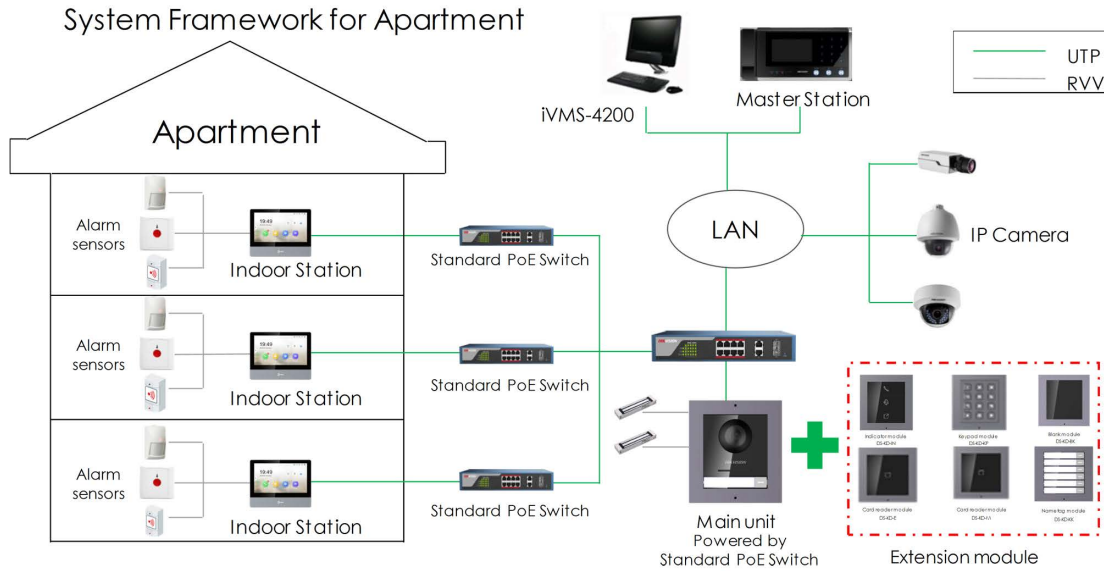
DS-KD8003-IME1 Modular Door Station



- | | |
|----|-------------------|
| 1. | Screen |
| 2. | Microphone |
| 3. | Network Interface |
| 4. | Loudspeaker |
| 5. | MicroSD Card Slot |
| 6. | Alarm Terminal |
| 7. | Reserved |
| 8. | Power Terminal |

DS-KH6320-WTE1 Indoor Station



Typical Application



What's Included

- 1 x DS-KD8003-IME1 Outdoor Station
- 1 x DS-KD-ACW1 Surface Mount Cover and Frame Package
- 1 x DS-KH6320-WTE1 Indoor Station
- 1 x DS-3E0105P-E/M PoE Switch
- 1 x Power Supply Unit (PSU)
- 1 x 16 GB MicroSD Card

Accessories

NOT INCLUDED	
	
DS-KABH6320-T Table Bracket	DS-KABD8003-RS1 Rain Shield