

DS-2AE5232T-A

2 MP 32x Outdoor TurboHD PTZ Speed Dome



- **1/2.8" Progressive Scan CMOS**
- **Up to 1920 x 1080 Resolution**
- **Minimum Illumination:**
Color: 0.005 Lux @ (f/1.2, AGC on)
B/W: 0.001 Lux @ (f/1.2, AGC on)
- **32x Optical Zoom, 16x Digital Zoom**
- **120 dB True WDR**
- **3D Intelligent Positioning**
- **Multiprotocol Output: TVI/AHD/CVI/CVBS**
- **IP66 Protection**
- **24 VAC, Maximum 24 W**

Hikvision DS-2AE5232T-A TurboHD PTZ Speed Dome Cameras produce images with a resolution of up to 1920 x 1080 pixels.

The embedded 1/2.8" progressive scan CMOS chip supports true WDR, and the 32x optical zoom allows for greater detail to be collected over more expansive areas.

The TurboHD PTZ Speed Dome Camera also features multiprotocol output, which allows for video switching between different recording modes.

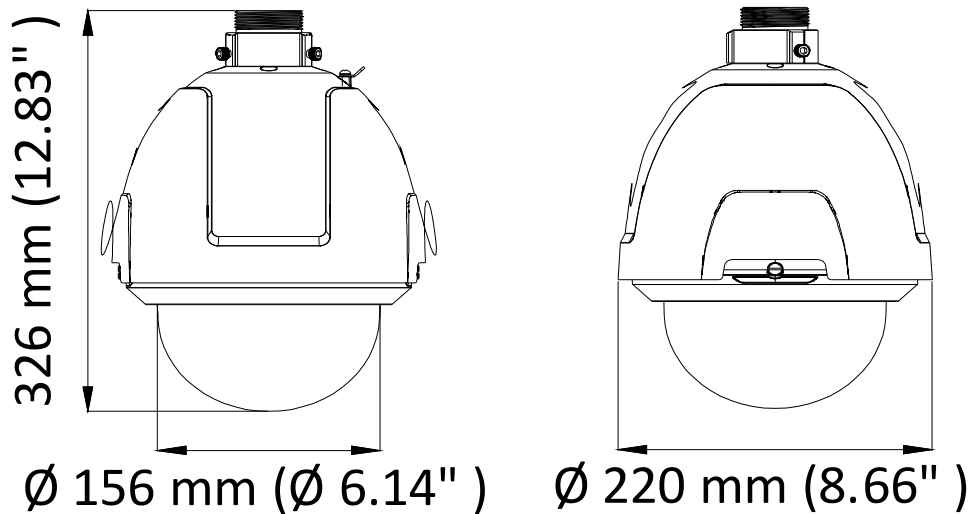
Available models:
DS-2AE5232T-A



Specifications

DS-2AE5232T-A	
Camera Module	
Image Sensor	1/2.8" progressive scan CMOS
Maximum Image Resolution	1920 x 1080
Frame Rate	30 fps @ (1920 × 1080)
Minimum Illumination	Color: 0.005 lux @ (f/1.6, AGC on), B/W: 0.001 lux @ (f/1.6, AGC on)
White Balance	Auto/manual/hauto (half auto)/ATW (Auto Tracking White)/indoor/outdoor
AGC	Auto/manual
DNR	3D DNR
WDR	≥120 dB
Shutter Speed	1/1 s to 1/10,000 s
Day/Night	IR cut filter
Digital Zoom	16x
Privacy Mask	8 programmable privacy masks
BLC (Backlight Compensation)	Yes
HLC (highlight Compensation)	Yes
EIS (Electric Image Stabilization)	Yes
Regional Focus	Yes
Lens	
Focus Mode	Auto/semi-auto/manual
Focal Length	4.8 mm to 153 mm, 32x optical
Aperture Range	f/1.2 to f/4.4
Field of View	Horizontal field of view: 54.2° to 1.97° (wide to tele)
Minimum Working Distance	10 mm to 1500 mm (wide to tele)
Zoom Speed	Approximately 5.6 s (optical, wide to tele)
PTZ	
Pan Range	360° endless
Pan Speed	Configurable, from 0.1°/s to 250°/s, preset speed: 250°/s
Tilt Range	From -5° to 90° (auto-flip)
Tilt Speed	Configurable, from 0.1°/s to 150°/s, preset speed: 150°/s
Proportional Zoom	Rotation speed can be adjusted automatically according to zoom multiples
Presets	256
Patrol	10 patrols, up to 32 presets for each patrol
Pattern	5 patterns, with a total recording time no less than 10 minutes
Power-Off Memory	Yes
Park Action	Preset/patrol/pattern/pan scan/tilt scan/panorama scan/day mode/night mode/none
PTZ Position Display	On/off
Preset Freezing	Yes
Scheduled Task	Preset/patrol/pattern/pan scan/tilt scan/panorama scan/day mode/night mode/zero calibration/none
Input/Output	
Video Output	Switchable TVI/AHD/CVI/CVBS video output (NTSC, BNC)
Alarm	2 alarm inputs, 1 alarm output
RS-485 Interface	Half-duplex mode, self-adaptive Hikvision, Pelco-P, Pelco-D protocols
UTC Function	UTC protocol (HIKVISION-C protocol)
General	
Power	24 VAC, maximum 24 W
Working Temperature	-22° to 149° F (-30° to 65° C)
Working Humidity	90% or less non-condensing
Protection Level	IP66 standard, TVS 4000 V lightning protection, surge protection, and voltage transient protection
Dimension	Ø8.66" × 12.83" (Ø220 mm × 326 mm)
Weight	6.61 lbs (3 kg)

Dimensions



Accessories

NOT INCLUDED					
WMP-L Wall Mount PTZ Long	CMP Corner Mount for WMP-S/L	PMP Pole Mount for WMP-S/L	JBPW-L Power Box Mount w/Wall Bracket	CMP-JB Corner Mount for JBPW-L	PMP-JB Pole Mount for JBPW-L
CPM-S Short Ceiling Pendant Mount	CPM-L Long Ceiling Pendant Mount	CPMPE Ceiling Pendant Mount Extension Pipe	PMP-V Horizontal Pole Mount for CPM-S/L	RPM Roof Parapet Mount	

INCLUDED
(actual product appearance may vary)
G1.5 Adapter Converts Hikvision Quick Release To G 1.5" Thread