

## DS-2CE10DFT-F(28)

2 MP ColorVu Fixed Outdoor Bullet Camera

ColorVu TurboHD™



- 24/7 Full Time Color
- 2 MP High Performance CMOS
- Up to 1920 x 1080 Resolution
- 2.8 Fixed Lens (-F28 Model)
- 3.6 mm or 6 mm Fixed Lens (-F Model)
- 3D DNR, OSD Menu
- Up to 65 ft (20 m) White Light Range
- 130 dB True WDR
- Multiprotocol Output: TVI/AHD/CVI/CVBS
- Up-the-Coax (HIKVISION-C)
- IP67 Protection

Hikvision's DS-2CE10DFT-F(28) ColorVu Fixed Bullet Outdoor Camera Series feature an f/1.0 lens aperture for maximum light gathering capability to provide full color imaging in extremely dark settings.

The cameras also contains a powerful auxiliary white light source to enhance colors and illuminate the scene when it approaches total darkness or on a defined schedule.

The 2.8 mm (-F28 model) and 3.6 mm or 6 mm (-F model) fixed lenses are optimized for viewing angles that fit any situation. 130 dB True WDR (Wide Dynamic Range) ensures that ideal images are captured regardless of the lighting conditions.

### Available models:

DS-2CE10DFT-F28: 2.8 mm lens

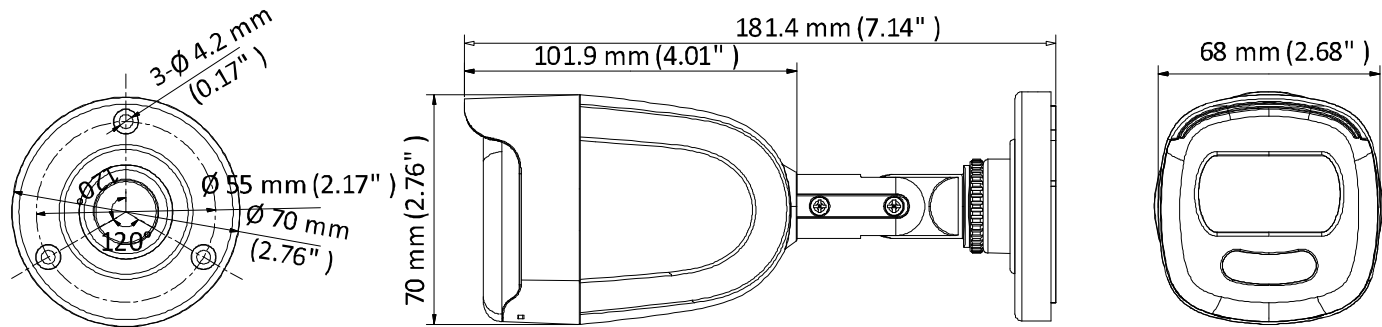
DS-2CE10DFT-F: 3.6 mm or 6 mm lens







# Specifications

| DS-2CE10DFT-F28              |   | DS-2CE10DFT-F  |
|------------------------------|---|--|
| <b>Camera</b>                |   |  |
| Image Sensor                 | 2 MP progressive scan CMOS  |  |
| Resolution                   | 1920 (H) × 1080 (V)   |  |
| Frame Rate                   | 1080p @ 30 fps  |  |
| Minimum Illumination         | Color: 0.0005 lux @ (f/1.0, AGC on), 0 lux with white light                   |  |
| Shutter Speed                | 1/30 s to 1/50,000 s  |  |
| Slow Shutter                 | Maximum 16x   |  |
| Lens                         | 2.8 mm fixed lens   | 3.6 mm or 6 mm fixed lens  |
| Field of View                | 2.8 mm, horizontal: 104°, vertical: 54°, diagonal: 126°                       | 3.6 mm, horizontal: 83.0°, vertical: 44.4°, diagonal: 98.0°<br>6 mm, horizontal: 51.0°, vertical: 28.5°, diagonal: 58.7° |
| Lens Mount                   | M16   |  |
| Day/Night                    | Color   |  |
| Angle Adjustment             | Pan: 0° to 360°; tilt: 0° to 180°; rotate: 0° to 360°                         |  |
| Synchronization              | ---   | Internal synchronization   |
| WDR                          | 130 dB  |  |
| <b>Menu</b>                  |   |  |
| Image Mode                   | STD/HIGH SAT  |  |
| AGC                          | Yes   |  |
| White Balance                | Auto/manual   |  |
| HLC                          | Yes   |  |
| BLC (Backlight Compensation) | Yes   |  |
| Privacy Mask                 | 4 programmable privacy masks  |  |
| Motion Detection             | 4 programmable areas  |  |
| WDR                          | Yes   |  |
| Functions                    | Brightness, sharpness, 3D DNR, mirror, smart light                            |  |
| <b>Interface</b>             |   |  |
| Video Output                 | Switchable TVI/AHD/CVI/CVBS   |  |
| <b>General</b>               |   |  |
| Operating Conditions         | -40° to 140° F (-40° to 60° C), humidity: 90% or less (non-condensing)        |  |
| Power Supply                 | 12 VDC ±25% ( <i>the use of one power adapter per camera is recommendea</i> ) |  |
| Power Consumption            | Maximum 3 W   |  |
| Protection Level             | IP67  |  |
| Material                     | Metal   |  |
| White Light Range            | Up to 65 ft (20 m)  |  |
| Communication                | Up-the-Coax, protocol: HIKVISION-C (TVI output)                               |  |
| Dimensions                   | 7.14" x 2.75" x 2.68" (181.4 mm x 70 mm x 68 mm)                              |  |
| Weight                       | Approximately 0.86 lbs (390 g)  |  |

# Dimensions



# Accessories<sup>1</sup>

| NOT INCLUDED   |   |   |   |
|--|---|---|---|
|  |  |  |  |
| <b>CBXS</b><br>Conduit Base  | <b>PM</b><br>Pole Mount   | <b>CM</b><br>Corner Mount   | <b>ABS</b><br>Angled Base   |

# Box Contents [Subject To Change without Notice]

Drill Template      Power Pigtail with Power Leads  
Quick Start Guide      Screws

<sup>1</sup> Additional accessories not shown may fit without, or in combination with, these accessories. See your sales representative for information about your needs.