

DS-2CD6825G0/C-I(V)S

Dual-Lens People Counting Camera



DS-2CD6825G0/C-IVS



DS-2CD6825G0/C-IS

Hikvision's DS-2CD6825G0/C-I(V)S is a specialized people counting camera that supports the separate counting of people entering, exiting, and passing by a given area.

The camera combines basic event technology, such as motion detection and video tampering alarm, and people counting technology, such as height filtering.

- 1/2.7" Progressive Scan CMOS
- Up to 1920 x 1080 Resolution
- 2 mm Fixed Lens
- H.265+, H.265, H.264+, H.264
- 3D Digital Noise Reduction
- 12 VDC, PoE (802.3af), 8 W

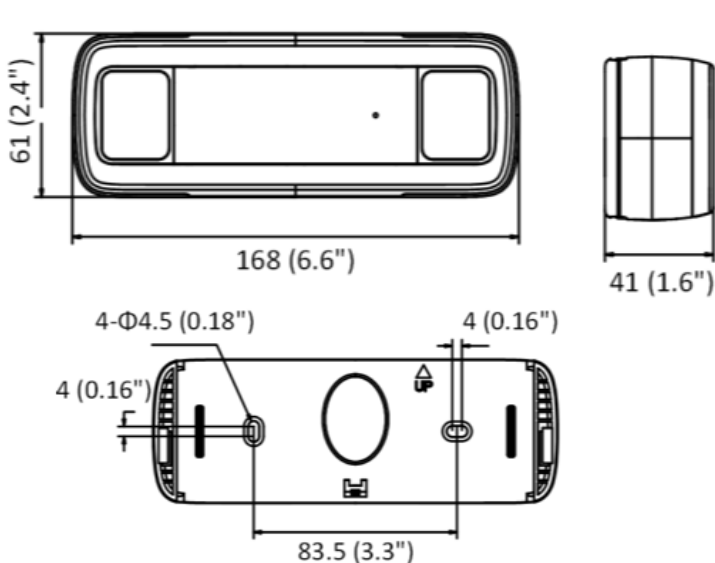
Available models:

DS-2CD6825G0/C-IVS (Outdoor, IP67)

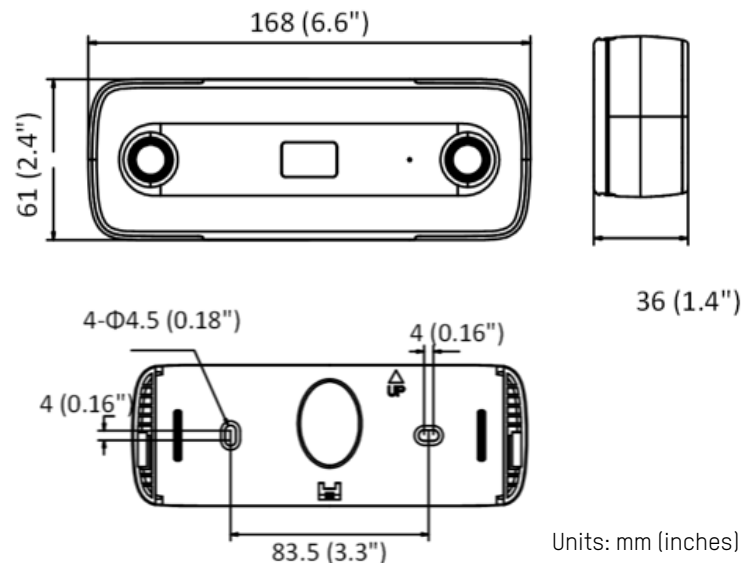
DS-2CD6825G0/C-IS (Indoor)



Dimensions



DS-2CD6825G0/C-IVS



DS-2CD6825G0/C-IS

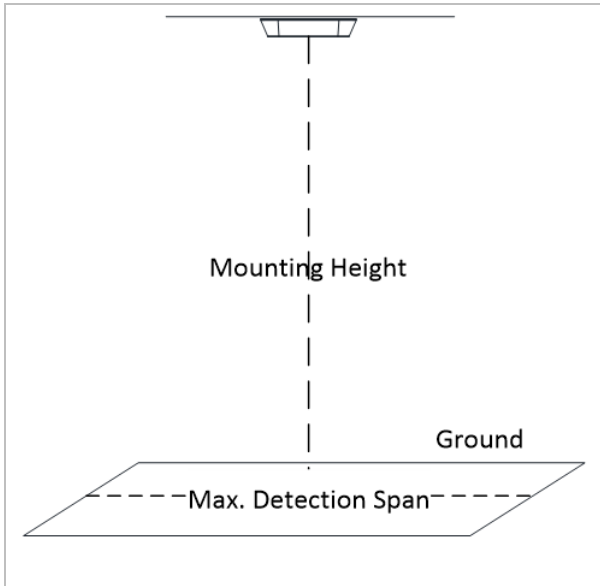
Units: mm (inches)

Specifications

	DS-2CD682560/C-IVS	DS-2CD682560/C-IS
Camera		
Image Sensor	1/2.7" progressive scan CMOS	
Minimum Illumination	Color: 0.0176 lux @ (f/2.25, AGC on), B/W: 0.0035 lux @ (f/2.25, AGC on)	
Shutter Speed	1/25 s to 1/100,000 s	
Day/Night	IR cut filter	
WDR	Digital WDR	
Lens		
Focal Length	2 mm fixed lens	
Aperture	f/2.25	
FOV	Horizontal FOV: 104.5°, vertical FOV: 70.5°, diagonal FOV: 112°	
Lens Mount	M12	
IR		
IR Range	Up to 20 ft (6 m)	
Wavelength	850 nm	
Video		
Maximum Resolution	1920 x 1080	
Main Stream	30 fps (1920 x 1080, 1280 x 720)	
Sub Stream	30 fps (704 x 480, 640 x 480)	
Video Compression	Main stream: H.265+/H.265/H.264+/H.264, sub stream: H.265/H.264/MJPEG	
H.264 Type	Baseline profile/main profile/high profile	
H.264+	Main stream supported	
H.265 Type	Main profile	
H.265+	Main stream supported	
Video Bit Rate	32 kbps to 16 mbps	
SVC	H.265 and H.264 supported	
Audio		
Audio Compression	G.711/G.722.1/G.726/MP2L2/PCM	
Audio Bit Rate	64 kbps (G.711)/16 kbps (G.722.1)/16 kbps (G.726)/32 to 160 kbps (MP2L2)	
Environment Noise Filtering	Yes	
Audio Sampling Rate	8 kHz/16 kHz/32 kHz/44.1 kHz/48 kHz	
Smart Features		
Basic Events	Motion detection, video tampering alarm, exception (network disconnected, IP address conflict, illegal login, HDD full, HDD error)	
People Counting	Separately counts people entering and exiting a specified area. Supports real-time uploading and uploading by statistical cycle. Sends daily, weekly, monthly or annual email reports. Supports target filtering by height.	
Linkage Method	Upload to FTP/NAS, notify surveillance center, send email, trigger alarm output, trigger recording, trigger capture	
Region of Interest	Four fixed regions for main stream and sub-stream	
Image		
Image Enhancement	HLC, BLC, 3D DNR, defog	
Image Setting	Saturation, brightness, contrast, sharpness are adjustable by client software or web browser	
Day/Night Switch	Day/night/auto/schedule/triggered by alarm input	
Picture Overlay	Logo picture can be overlaid on video with a 128 x 128 24 bit bmp format	
Network		
Protocols	TCP/IP, ICMP, HTTP, HTTPS, FTP, DHCP, DNS, DDNS, RTP, RTSP, RTCP, PPPoE, NTP, UPnP, SMTP, SNMP, IGMP, 802.1X, QoS, IPv6, UDP, Bonjour, SSL/TLS	
API	ONVIF (PROFILE S, PROFILE G), ISAPI, SDK, Ehome (5.0)	
Security	Password protection, complicated password, HTTPS encryption, 802.1X authentication (EAP-TLS, EAP-LEAP, EAP-MD5), watermark, IP address filter, basic and digest authentication for HTTP/HTTPS, WSSE and digest authentication for ONVIF, RTP/RTSP over HTTPS, control timeout settings, security audit log	
Simultaneous Live View	Up to 20 channels	
User/Host	Up to 32 users. 3 user levels: administrator, operator and user	
Client	iVMS-4200, Hik-Connect	
Web Browser	IE 8+, Chrome 41.0-44, Mozilla Firefox 30.0-51, Safari 8.0-11	
Interface		
Communication Interface	1 RJ-45 10M/100M Ethernet port, 1 RS-485 interface (half duplex, HIKVISION, Pelco-P, Pelco-D, self-adaptive)	
Audio	1 built-in microphone, 1 input (line in, two-core terminal block), 1 output (two-core terminal block), mono sound	
Alarm	1 input, 1 output (maximum 24 VDC, 1 A)	
Standards		
EMC	47 CFR Part 15, Subpart B; EN 55032:2015, EN 61000-3-2:2014, EN 61000-3-3:2013, EN 50130-4:2011 +A1:2014; AS/NZS CISPR 32:2015; ICES-003: Issue 6, 2016; KN 32:2015, KN 35:2015	
Safety	UL 60950-1, IEC 60950-1:2005 + Am 1:2009 + Am 2:2013, EN 60950-1:2005 + Am 1:2009 + Am 2:2013, IS 13252(Part 1):2010+A1:2013+A2:2015	
Environment	2011/65/EU, 2012/19/EU, Regulation (EC) No 1907/2006	
Protection	IP67	-
General		
General Function	Anti-flicker, heartbeat, mirror, password protection, watermark, IP address filter	
Startup and Operating Conditions	-22° F to 113° F (-30° C to 45° C), humidity 95% or less (non-condensing)	
Storage Conditions	-22° F to 140° F (-30° C to 60° C), humidity 95% or less (non-condensing)	
Power Supply	12 VDC ± 20 %, reverse polarity protection, Ø5.5 mm coaxial power plug, 12 VDC, PoE (36 to 57 VDC, 802.3af), Class 3	
Power Consumption	12 VDC, 0.66 A, maximum 8 W, PoE (802.3 af, 36 to 57 VDC), 0.23 A to 0.14 A, maximum 8.3 W	
Material	Front cover: plastic, camera body: metal	
Dimensions	6.6" x 2.4" x 1.6" [168 mm x 61 mm x 41 mm]	6.6" x 2.4" x 1.4" [168 mm x 61 mm x 36 mm]
Weight	1 lb (435 g)	

Installation Recommendation

The following table shows the relations among focal length, mounting height, and maximum detection span of typical values. For detailed installation advice, please contact Hikvision technical support.



Focal Length (mm)	Mounting Height (m)	Max. Detection Span (m)
2.0	2.1	1.02
2.0	2.6	2.30
2.0	3.1	3.58
2.0	3.6	4.86
2.0	4.1	6.14
2.0	4.6	5.50
2.0	5.1	6.45
2.0	5.6	7.40
2.0	6.0	8.16