

## EKI-K41B44W

### Wi-Fi Camera and NVR Kit



- One Kit Provides Everything Required for Small Monitoring Scenarios:
  - 1 x DS-7104NI-K1/W/M 4-ch Wi-Fi NVR with Decoding up to 4-ch @ 4 MP
  - 4 x DS-2CV1041G1-IDW 4 MP Wi-Fi Bullet Cameras
  - 1 x Network Cable
  - 1 x HDMI Cable
  - 1 x 1 TB HDD Pre-Installed
- Efficient H.265 Compression Technology
- Auto Wi-Fi Connection and Easy installation
- Wi-Fi Repeater Function for Extended Range
- Hik-Connect Cloud Service
- Mobile App for Remote Management and Device Viewing

The Hikvision EKI-41B44W Wi-Fi Camera and NVR Kit combines everything needed for a small video monitoring system. Four 4 MP bullet cameras connect to the four channel NVR wirelessly over Wi-Fi.

The included 1 TB hard disk drive, along with H.265+ video compression, provides ample capacity to store a long history of recordings. Cloud storage provides redundancy, and a phone app offers system management and viewing from almost anywhere.

Auto Wi-Fi Connection makes installation and setup easy. Includes a network cable and HDMI cable.

#### Available Model

EKI-41B44W



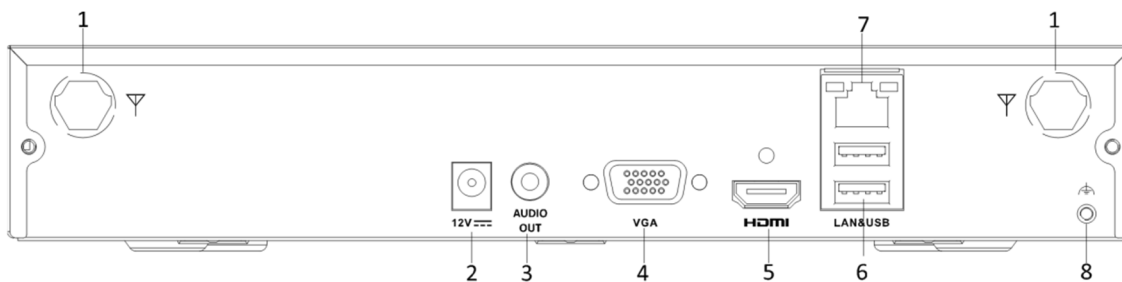
# Specifications

<b>EKI-41B44W Kit</b>	
<b>CAMERA</b>	<b>DS-2CV1041G1-IDW</b>
<b>Characteristics</b>	
Camera Enclosure Type	Bullet
Image Sensor	1/3" progressive scan CMOS
Minimum Illumination	Color: 0.018 lux @ (f/1.6, AGC on), 0 lux with IR
Shutter Speed	1/3 s to 1/100,000 s
Day/Night	IR cut filter
WDR	DWDR
Angle Adjustment	Pan: 0° to 360°, tilt: 0° to 90°, rotate: 0° to 360°
<b>Lens</b>	
Focal Length	2.8 mm
Aperture	f/1.6
Focus	Fixed
FOV	2.8 mm, horizontal FOV: 97°, vertical FOV: 52°, diagonal FOV: 114°
Lens Mount	M12
<b>IR</b>	
IR Range	Up to 98 ft (30 m)
<b>Video</b>	
Video Compression	Main stream: H.265+/H.264+/H.265/H.264 Sub-stream: H.265/H.264
H.264 Type	Baseline Profile/Main Profile/High Profile
H.264+	Main stream supported
H.265 Type	Main profile
H.265+	Main stream supported
Video Bit Rate	32 Kbps to 8 Mbps
Maximum Resolution	2560 × 1440
Main Stream	60 Hz: 20 fps (2560 × 1440, 2304 × 1296, 1920 × 1080, 1280 × 720)
Sub-stream	60 Hz: 20 fps (640 × 360)
Image Setting	Mirror, privacy masks, saturation, brightness, contrast, sharpness, gain, white balance adjustable by client software or Web browser
Day/Night Switch	Auto/Scheduled/Day/Night
<b>Audio</b>	
Audio Compression	G.711ulaw/G.711alaw/G.722.1/G.726/MP2L2/PCM/AAC
Audio Bit Rate	64 Kbps (G.711 ulaw)/64 Kbps (G.711 alaw)/16 Kbps (G.722.1)/16 Kbps (G.726)/32–160 Kbps (MP2L2)/16–64 Kbps (AAC)
Audio Sampling Rate	8 kHz/16 kHz
Environment Noise Filtering	Yes
<b>Functions</b>	
Alarm Trigger	Motion detection, exception
Protocols	TCP/IP, ICMP, DHCP, DNS, DDNS, HTTP, HTTPS, RTP, RTSP, NTP, UPnP, IGMP, IPv6, UDP, QoS, Bonjour
General Function	Anti-flicker, heartbeat, password reset via e-mail
Client	iVMS-4200, Hik-Connect
<b>I/O</b>	
Communication Interface	1 RJ-45 10M/100M self-adaptive Ethernet port
Audio I/O	1 built-in mic
Reset Button	Yes
Wi-Fi	Yes
<b>Power</b>	
Power Supply	12 VDC ±25%, 0.5 A, Ø5.5 mm coaxial plug power
Consumption	≤6 W
<b>General</b>	
Protection Level	IP66
Material	Front cover: plastic; camera body: metal
Working Temperature	-30° to 60° C (-22° to 140° F)
Working Humidity	95% or less (non-condensing)
Dimension (W × D × H)	175.6 mm × 73.0 mm × 89.1 mm (6.9" × 2.9" × 3.5")
Weight	330 g (0.7 lb)

## Specifications (continued)

<b>EKI-41B44W Kit</b>	
<b>NVR</b>	<b>DS-7104NI-K1/W/M</b>
<b>I/O</b>	
IP Video Input	4-ch
Incoming/Outgoing Bandwidth	50 Mbps/40 Mbps
HDMI/VGA Output	1-ch, resolution: 1920 x 1080/60 Hz, 1280 x 1024/60 Hz, 1280 x 720/60 Hz, 1024 x 768/60 Hz HDMI/VGA simultaneous output
Audio Output	1-ch, RCA (linear, 1K Ω)
Video Resolution	4 MP/3 MP/1080p/1.3 MP/720p
Synchronous Playback	4-ch
Capability	4-ch @ 4 MP (12 fps)/4-ch @ 1080p (25 fps)
<b>Interface</b>	
Network Interface	1, RJ-45 10/100M Ethernet interface
Network Protocol	IPv6, UPnP™, NTP, SADP, DHCP
Remote Connection	16
<b>Communication</b>	
Range <sup>1</sup>	w/o Built-In Repeater 262 ft (79.86 m) w/Built-in Repeater 393 ft (119.8 m)
Frequency Band	2.4 GHz
Antenna Structure	2 × 2 MIMO
Transmission Speed	144 Mbps
Transmission Standard	IEEE 802.11b/g/n
<b>Connections</b>	
SATA	1
Capacity	Maximum 6 TB capacity for each disk
USB Interface	Rear panel: 2 × USB 2.0
<b>Power</b>	
Power Supply	12 VDC
Consumption (w/o HDD)	≤12 W
<b>General</b>	
Working Temperature	-10° to 55° C (14° to 131° F)
Working Humidity	10% to 90% non-condensing
Dimension (W × D × H)	265 mm × 225 mm × 48 mm (10.4" × 8.9" × 1.9")
Weight (w/o hard disk)	≤1.6 kg (3.5 lb)
<b>KIT</b>	
Accessories	Power cable: 4 x IPC power cables, 1 x NVR power cable Ethernet cable: RJ-45, Cat5e UTP, 1 m. Connects NVR and switch HDMI cable: HDMI cable, 2 m, black
Hard Drive	1T: pre-installed 1 TB HDD
Certifications	FCC, CE
Weight (w/package)	≤7 kg (15.4 lb)

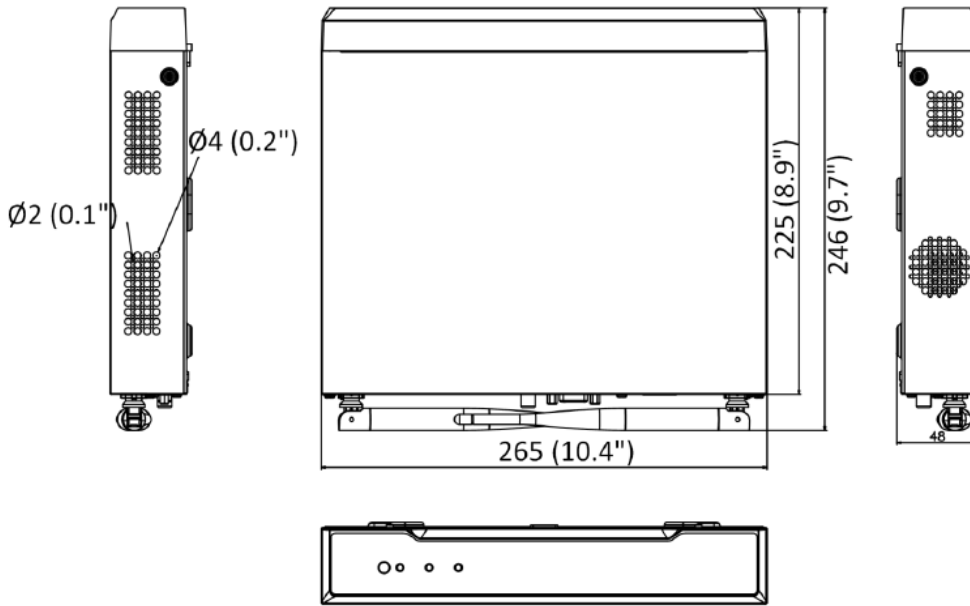
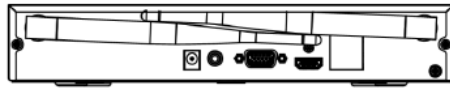
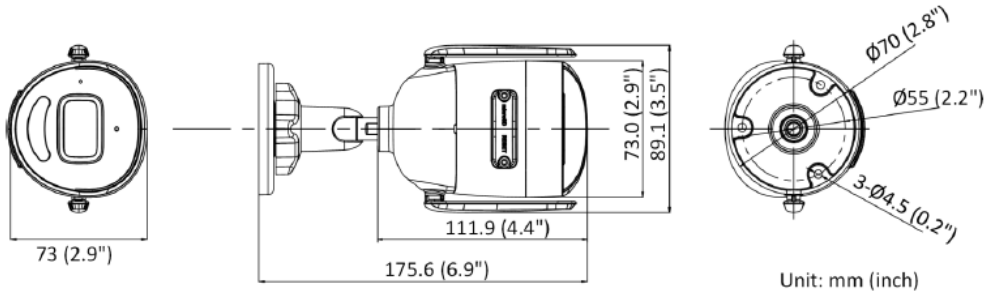
## Physical Interface



No.	Description	No.	Description
1	Antenna Interface	5	HDMI Interface
2	Power Supply	6	USB Interface
3	Audio Interface	7	LAN Network Interface
4	VGA Interface	8	Ground

<sup>1</sup> Range values are approximate and will vary by environmental conditions of your particular installation.

# Dimensions



Unit: mm (inch)

# Accessories

<b>NOT INCLUDED</b>
<b>CBXS</b> Junction Box

# EKI-K41B44W Kit Repeater Function

A Wi-Fi camera beyond the NVR's Wi-Fi range can automatically connect to the NVR by using a nearby Wi-Fi camera as a repeater.

