

DS-MP7608

Mobile Video Recorder Series



- User-Friendly GUI Provides Easy Operations
- Pluggable Wi-Fi Module*
- Supports High-Definition TVI Camera
- 8 Analog and 8 IP Audio/Video Inputs; up to 1080p Resolution
- H.264/H.265 Encoding
- Collects Driving Information Such as Left/Right Turn, Braking, Reversing, etc.
- Aviation Connectors for Signal Stability
- Ignition Startup and Delay (0 to 6h) Shutdown
- Vehicle Battery Protection
- Wide-Range Power Input (+9 to +32 VDC)
- Power-off Protection Avoids Key Data Loss
- Tensile Aluminum Chassis with No Fan Design
- Software-Based Firewall
- GNSS (Global Navigation Satellite System) Module Positions Vehicle
- Stores Videos on SD card if HDD/SSD Damaged
- Dummy HDD w/USB Interface for Intelligent Temperature Control and Data Export
- Output Bandwidth Limit Configurable

Hikvision's DS-MP7608 Mobile Video Recorder supports 8 IP cameras via PoE switches and 8 analog cameras, all at 1080p resolution.

The device has an optional Wi-Fi module and vehicle battery protection and supports H.264/H.265 Encoding.

Available Models

DS-MP7608: No HDD

DS-MP7608(1T): Includes 1 TB HDD

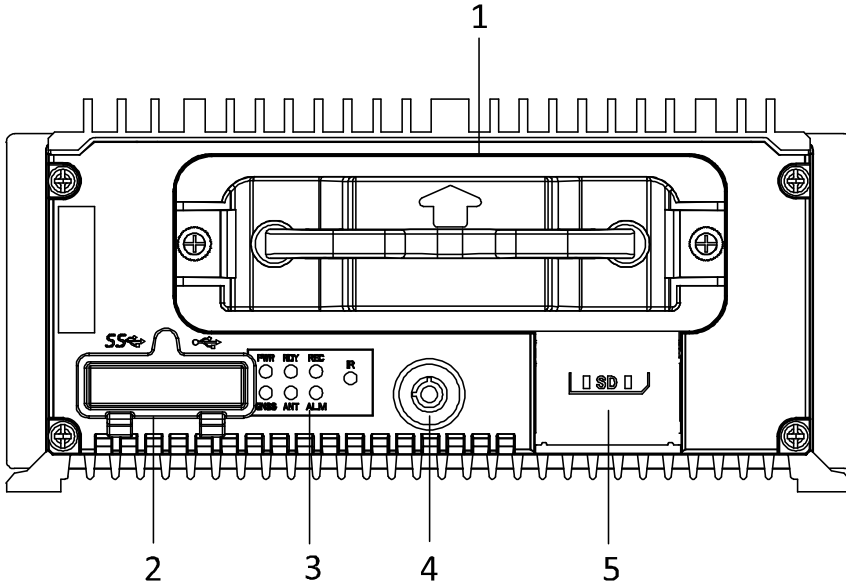
*Wi-Fi function is supported only when equipped with a DS-MP1460 Mobile Wireless Component.

Specifications

| | |
|---|--|
| DS-MP7608 | |
| Video/Audio Input | |
| Analog Camera | 8 TVI cameras, up to 1080p resolution |
| IP Camera | 8 IP cameras, extendable via PoE switch |
| Two-Way Audio | 1, integrated in EXT.DEV interface |
| Video/Audio Output | |
| Video Output | CVBS 2 VGA 1 |
| Encoding/Decoding Parameters | |
| Video Compression | H.264/H.265 |
| Encoding Resolution | Main stream: 1080/720/WD1/4CIF Sub-Stream: 4CIF/2CIF/CIF |
| Frame Rate | PAL 1 to 25 fps NTSC 1 to 30 fps |
| Audio Compression | G.711/G.722.1 |
| Stream Type | Video, video & audio |
| Audio Bitrate | 16 Kbps |
| Dual Stream | Supported |
| Storage | |
| HDD/SSD | 2 x 2.5 inch HDD/SSD slots, up to 2 TB capacity for each HDD/SSD 1T model: Pre-installed 1 TB HDD |
| SD Card | 1 x SD card, up to 256 GB |
| Wireless Network | |
| Wi-Fi | 802.11B/G/N/AC. 1 antenna required for 802.11B/G/N module. 2 antennas required for 802.11AC module. NOTE: Requires DS-MP1460/WI58 Mobile Wireless Component |
| Positioning | |
| GNSS (Global Navigation Satellite System) | GPS (Global Positioning System) and GLONASS (Global Navigation Satellite System), 1 x Rosenberger antenna |
| G-Sensor | |
| G-Sensor | Built-in |
| External Interface | |
| Network Interface | 1 x RJ-45 10M/100M self-adaptive Ethernet interface |
| Serial Port | 3 x RS-232, 2 x RS-485, 1 x RS-422 |
| CAN | 2 |
| USB Interface | Front Panel 1 x standard USB 2.0 and 1 x A-type USB 3.0 Rear Panel 1 x USB 2.0 (5-pin aviation connector) |
| Sensor-in | 4 high/low level signal inputs, 1 pulse signal input |
| Alarm Input | 4 high/low level signal inputs |
| Alarm Output | 2 relay signal outputs |
| General | |
| Operating Method | Mouse, IR remote control, and Web control |
| Power Supply | 9 to 32 VDC |
| Consumption | Standby ≤0.5 W Full Load ≤99 W (NOTE: Without peripheral and storage media: ≤20 W) |
| Working Temperature | Device that provides dummy HDD with heating function: -30° to +60° C (-22° to +140° F) Other devices: -10° to +60° C (+14° to +140° F) |
| Working Humidity | 10% to 95% (non-condensing) |
| Dimension (W × D × H) | 202 mm × 267.6 mm × 93.9 mm (7.95" × 10.53" × 3.7") |

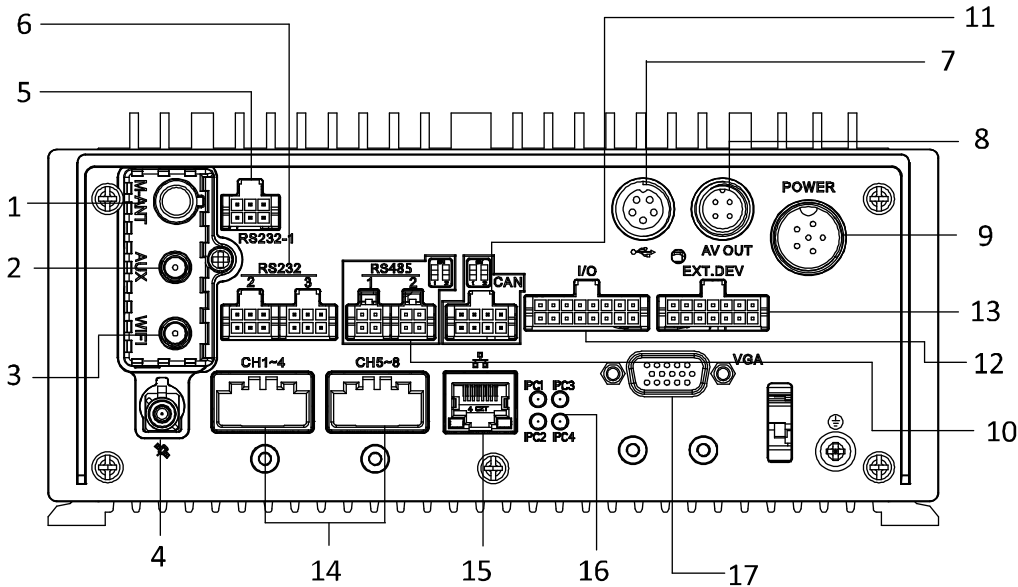
Interface

Front Panel




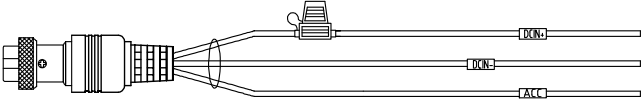
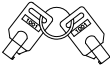
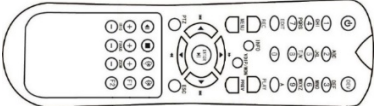
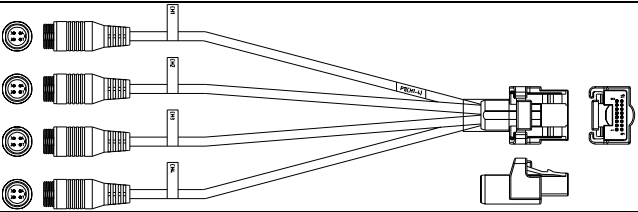
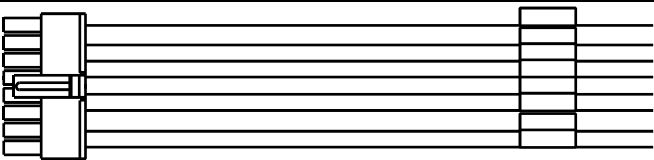
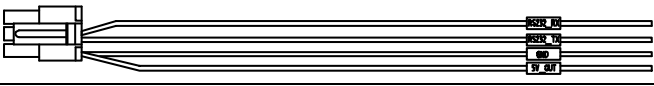
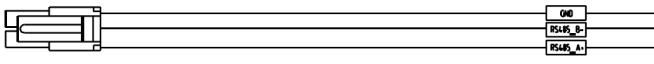
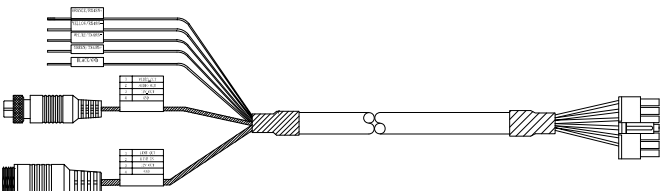
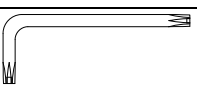
| No. | Name | No. | Name |
|-----|----------------------------|-----|----------------|
| 1 | Dummy HDD | 4 | Dummy HDD lock |
| 2 | USB 2.0 and 3.0 interfaces | 5 | SD card slot |
| 3 | PWR: Power indicator | | |
| | RDY: Ready indicator | | |
| | REC: Record indicator | | |
| | ALM: Alarm indicator | | |
| | ANT: Dialing indicator | | |
| | GNSS: GPS indicator | | |

Rear Panel

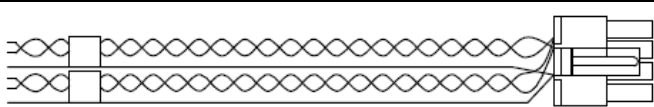
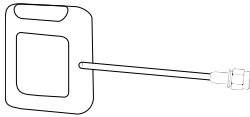

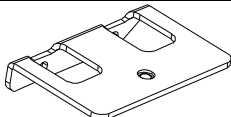
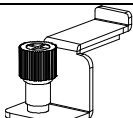
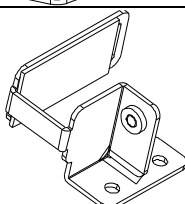


| No. | Name | No. | Name |
|-----|---|-----|--|
| 1 | Reserved | 10 | RS-485-1 and RS-485-2 interfaces |
| 2 | AUX (Auxiliary Wi-Fi antenna interface) | 11 | CAN (automobile bus line interface) |
| 3 | WIFI (Wi-Fi antenna interface) | 12 | I/O (ALARM IN, ALARM OUT, and sensor-in) |
| 4 | (GNSS antenna interface) | 13 | EXT.DEV (RS-422 communication interface, two-way audio interface, and CVBS video output) |
| 5 | RS-232-1 interface | 14 | Analog camera inputs |
| 6 | RS-232-2 and RS-232-3 interfaces | 15 | Network interface |
| 7 | USB 2.0 of 5-pin aviation connector | 16 | IP camera status indicators |
| 8 | AV OUT (LCD interface) | 17 | VGA |
| 9 | Power supply | | |

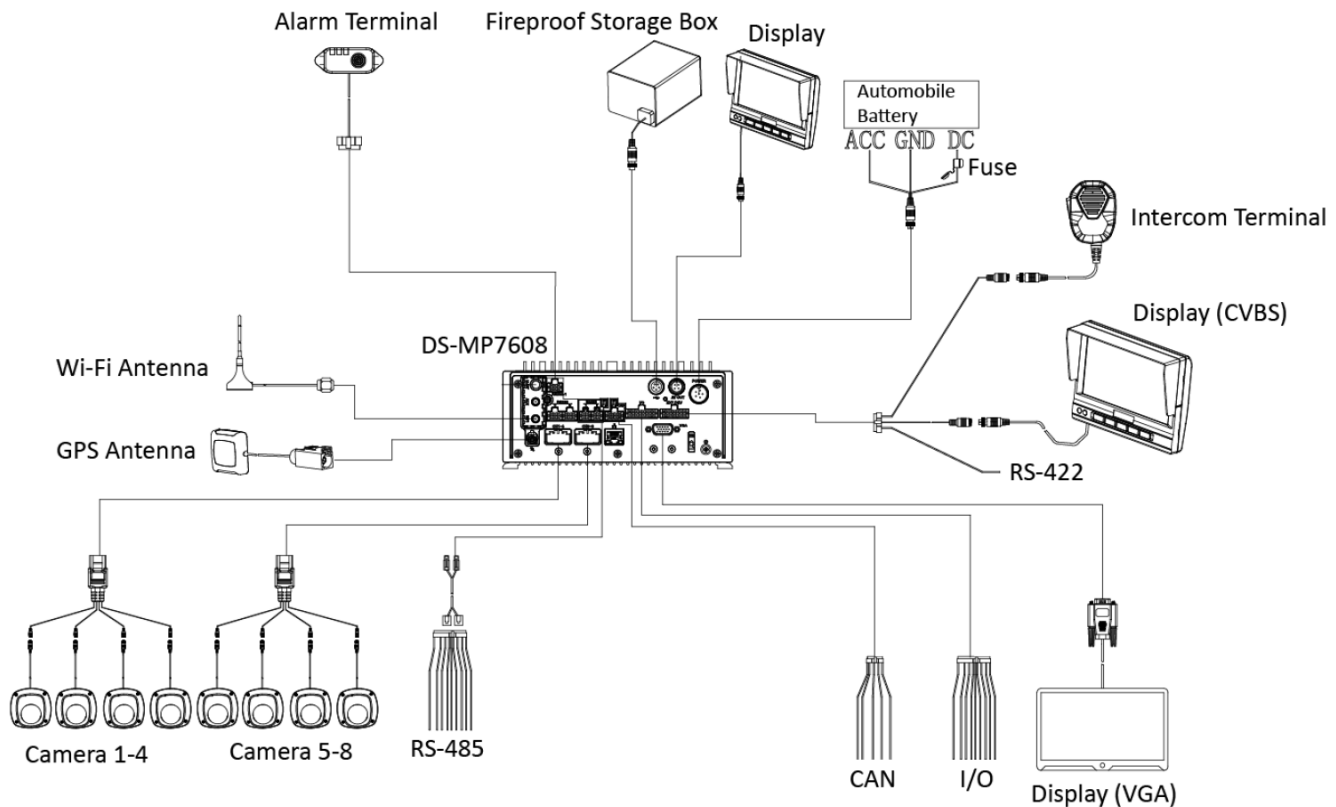
Packing List

| Description | Qty | Picture | Note |
|------------------|-----|--|------|
| Fuse | 2 |  | |
| Power Cord | 1 |  | |
| Key | 2 |  | |
| Remote Control | 1 |  | |
| Video Cable | 1 |  | |
| Alarm Line | 1 |  | |
| Serial Port Line | 1 |  | |
| RS-485 Line | 1 |  | |
| Extension Cable | 1 |  | |
| Screwdriver | 1 |  | |

Packing List (continued)

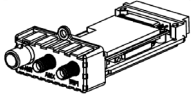
| | | | |
|---------------------------------|---|--|--|
| CAN Cable | 1 |  | |
| GPS Antenna | 1 |  | |
| Video Cable Fixing Bracket-Up | 1 |  | |
| Video Cable Fixing Bracket-Down | 1 |  | |
| VGA Bracket-Up | 1 |  | |
| VGA Bracket-Down | 1 |  | |

Peripheral Connections



Accessories

NOT INCLUDED



DS-MP1460
Mobile Wireless Component