

DS-2TD2637T-15/P

Thermographic Thermal & Optical Bi-Spectrum Network Bullet Camera



- 384 × 288 resolution, 17 μm , VOx UFPA, NETD ≤ 35 mK (25° C, F# = 1.0)
- Temperature Exception Alarm for Fire Prevention
- - 20° to 550° C (- 4° to 1022° F), Maximum ($\pm 2^\circ$ C, $\pm 2\%$)
- Image Processing Technology: Linear, Histogram, Self-Adaptive Thermal AGC Mode, DDE, 3D DNR
- Fire Detection Algorithm

Hikvision DS-2TD2637T-15/P Thermographic Thermal & Optical Bi-Spectrum Network Bullet Camera can be used in substations, hydropower stations, waste incineration plants, manufacturing workshops, etc. The accurate temperature measurement device sends temperature exception alarms for loss prevention.

Available Model

DS-2TD2637T-15/P



Specifications

DS-2TD2637T-15/P		
Thermal		
Image Sensor	Vanadium oxide uncooled focal plane arrays	
Resolution	384 × 288	
Pixel Interval	17 μm	
Response Waveband	8 μm to 14 μm	
NETD	≤35 mk (25° C, F# = 1.0)	
Focal Length	15 mm	
IFOV	1.13 mrad	
Field of View	24.5° × 18.5° (H × V)	
Minimum Focusing Distance	2.5 m	
Aperture	f/1.0	
Digital Zoom	2x, 4x, 8x	
Optical		
Image Sensor	1/2.7" progressive scan CMOS	
Resolution	2688 × 1520	
Minimum Illumination	Color: 0.0089 lux @ (f/1.6, AGC on), B/W: 0.0018 lux @ (f/1.6, AGC on)	
Shutter Speed	1 s to 1/100,000 s	
Focal Length	6 mm	
Field of View	51.7° × 28° (H × V)	
Aperture (Range)	F 1.6	
WDR	120 dB	
Image Effect		
Bi-Spectrum Image Fusion	Display the details of optical channel on thermal channel	
Picture-in-Picture	Display partial image of thermal channel on the full screen of optical channel	
Target Coloration	Yes, supported in white hot and black hot mode	
Illuminator		
IR Distance	Up to 131 ft (40 m)	
IR Intensity and Angle	Automatically adjusted	
Smart Function		
VCA	4 VCA rule types (line crossing, intrusion, region entrance, and region exiting), up to 8 VCA rules in total	
Temperature Measurement	3 temperature measurement rule types, 21 rules in total (10 points, 10 areas, and 1 line)	
Temperature Range	- 20° to 550° C (- 4° to 1022° F)	
Temperature Accuracy	Maximum (±2°, ±2%)	
Fire Detection	Dynamic fire detection, up to 10 fire points detectable.	
Video and Audio		
Main Stream	Optical Channel	50 HZ: 25 fps (2688 × 1520, 1920 × 1080, 1280 × 720) 60 HZ: 30 fps (2688 × 1520, 1920 × 1080, 1280 × 720)
	Thermal Channel	25 fps (1280 × 720, 704 × 576, 640 × 480, 352 × 288, 320 × 240)
Sub-Stream	Optical Channel	50 HZ: 25 fps (704 × 576, 352 × 288, 176 × 144) 60 HZ: 30 fps (704 × 480, 352 × 240, 176 × 120)
	Thermal Channel	25 fps (704 × 576, 352 × 288, 320 × 240)
Video Compression	Main Stream	H.265/H.264
	Sub-Stream	H.265/H.264/MJPEG
Audio Compression	G.722.1/G.711ulaw/G.711alaw/MP2L2/G.726/AAC/PCM	
Network		
Protocols	IPv4/IPv6, HTTP, HTTPS, 802.1x, QoS, FTP, SMTP, UPnP, SNMP, DNS, DDNS, NTP, RTSP, RTCP, RTP, TCP, UDP, IGMP, ICMP, DHCP, PPPoE	
API	ISAPI, HIKVISION SDK, third-party management platform, ONVIF (Profile S, Profile G, Profile T)	
Security	User authentication (ID and PW), MAC address binding, HTTPS encryption, IEEE 802.1x (EAP-MD5, EAP-TLS), access control, IP address filtering	
Simultaneous Live View	Up to 20 channels	
Client	iVMS-4200, Hik-Connect	
Web Browser	Live view (plug-in allowed): Internet Explorer 11	
	Live view (plug-in free): Chrome 57.0+, Firefox 52.0+	
	Local service: Chrome 57.0+, Firefox 52.0+	
Network Storage	MicroSD/SDHC/SDXC card (up to 256 GB) local storage, NAS (NFS, SMB/CIFS), Auto Network Replenishment (ANR)	
User/Host Level	Up to 32 users, 3 levels: administrator, operator, user	
Interface		
Alarm Input	2-ch inputs (0-5 VDC)	
Alarm Output	2-ch relay outputs, alarm response actions configurable	
Alarm Action	SD recording/relay output/smart capture/FTP upload/email linkage	
Audio Input	1, 3.5 mm mic in/line in interface	
	Line input: 2-2.4 V (p-p), output impedance: 1K Ω ±10%	
Audio Output	Linear level, impedance: 600 Ω	
Communication Interface	1, RJ-45 10 M/100 M self-adaptive Ethernet interface	
	1, RS-485 interface	

Specifications (continued)

DS-2TD2637T-15/P	
General	
Web Client Language	32 languages: English, Russian, Estonian, Bulgarian, Hungarian, Greek, German, Italian, Czech, Slovak, French, Polish, Dutch, Portuguese, Spanish, Romanian, Danish, Swedish, Norwegian, Finnish, Croatian, Slovenian, Serbian, Turkish, Korean, Traditional Chinese, Thai, Vietnamese, Japanese, Latvian, Lithuanian, Portuguese (Brazil)
Power	24 VAC ±25%, 12 VDC ±25%, two-core terminal block PoE (802.3af, class 3)
Power Consumption	18 VAC to 30 VAC: 0.38 A to 0.22 A, maximum 9 W 9 VDC to 15 VDC: 0.63 A to 1.06 A, maximum 9 W PoE (802.3af, class 3): 44 V to 57 V, 0.22 A to 0.17 A, maximum 9.5 W
Working Temperature/Humidity	Temperature: -40° to 65° C (-40° to 149° F) Humidity: 95% or less, non-condensing
Protection Level	IP66 Standard TVS 6000V lightning protection, surge protection, voltage transient protection
Dimensions	376.1 mm × 119.1 mm × 118.1 mm (14.81" × 4.68" × 4.65")
Weight	Approximately 1.82 kg (4.01 lb)

DRI Range Table

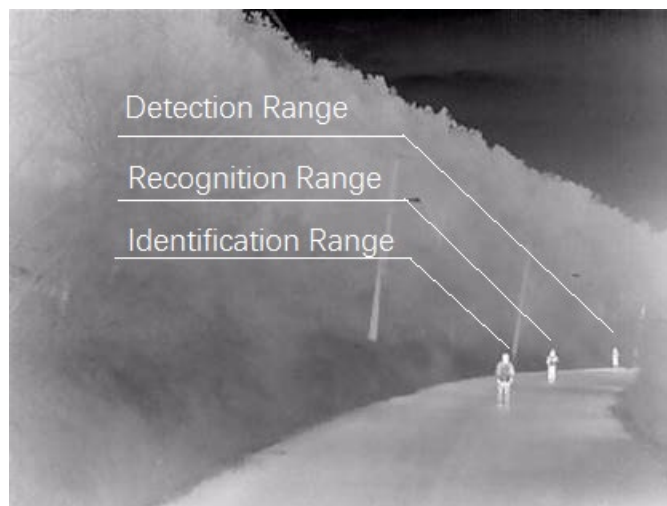
* The table is for reference only, and the performance may vary according to different environment.

* The optimal human detection, recognition, and identification distances are calculated according to Johnson's Criteria.

Detection Range: In order to distinguish an object from the background, the object must be covered by 1.5 or more pixels.

Recognition Range: In order to classify the object (animal, human, vehicle, etc.), the object must be covered by 6 or more pixels.

Identification Range: In order to identify the object and describe it in details, the object must be covered by 12 or more pixels.



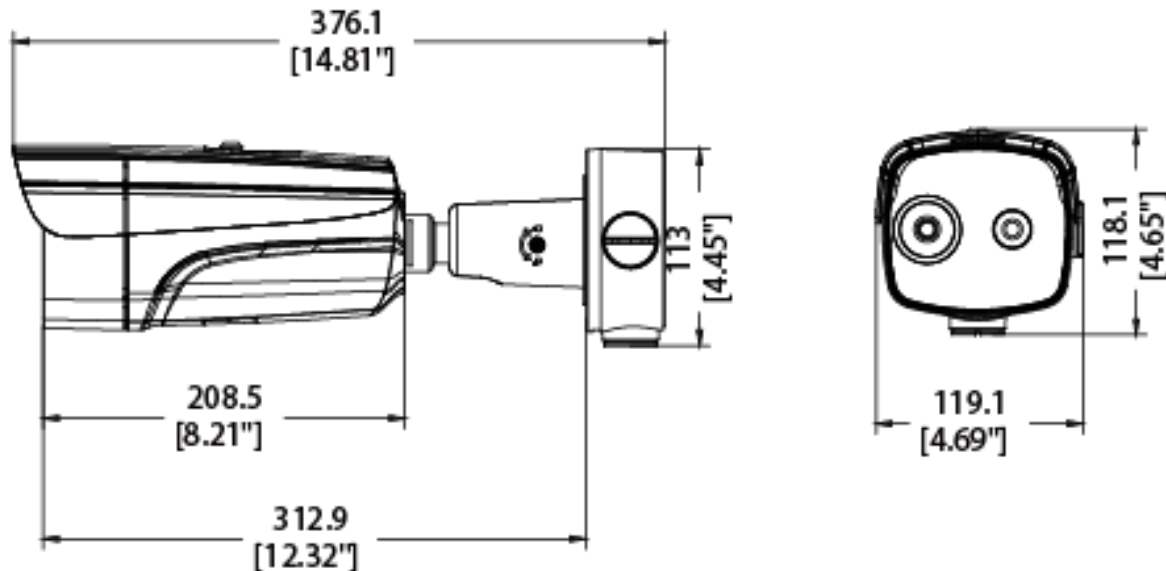
Detection Range (Vehicles: 1.4 × 4.0 m)	Detection Range (Humans: 1.8 × 0.5 m)	Recognition Range (Vehicles: 1.4 × 4.0 m)	Recognition Range (Humans: 1.8 × 0.5 m)	Identification Range (Vehicles: 1.4 × 4.0 m)	Identification Range (Humans: 1.8 × 0.5 m)
1353 m	441 m	338 m	110 m	169 m	55 m

Smart Function Table

* The table is for reference only, and the performance may vary according to different environment.


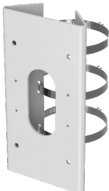

VCA Range (Vehicles: 1.4 × 4.0 m)	VCA Range (Humans: 1.8 × 0.5 m)	Temperature Measurement (Object: 2 × 2 m)	Temperature Measurement (Object: 1 × 1 m)	Fire Detection (Object: 2 × 2 m)	Fire Detection (Object: 1 × 1 m)
309 m	110 m	351 m	177 m	882 m	441 m

Dimensions



Unit: mm [Inch]

Accessories

INCLUDED	NOT INCLUDED	
		
CB130 Junction box	PM1 Vertical pole mount	CM Corner mount

COMPLIANCE NOTICE: The thermal series products might be subject to export controls in various countries or regions, including without limitation, the United States, European Union, United Kingdom and/or other member countries of the Wassenaar Arrangement. Please consult your professional legal or compliance expert or local government authorities for any necessary export license requirements if you intend to transfer, export, re-export the thermal series products between different countries.