

DS-2TD2617B-6/PA¹ Thermographic Bullet Camera

DeepinView^{series}



- **160 × 120 Resolution in Thermal Channel, High Sensitivity Sensor**
- **Accuracy at 4.92 ft to 9.84 ft (1.5 m to 3 m):**
±0.5° F (±0.3° C) with Blackbody
±0.9° F (±0.5° C) without Blackbody
- **Reliable Temperature Exception Alarm Function**
- **3D DNR, Image Detail Enhancement**
- **Strobe Light and Voice Alarm**

Hikvision DS-2TD2617B-6/PA Thermographic Bullet Cameras are equipped with highly sensitive thermal and optical sensors and a graphical processing unit to run the video content analysis (VCA) algorithms developed by Hikvision's deep learning technology.

The sensor's 160 x 120 resolution is upscaled to 320 x 240 and features adaptive AGC (Automatic Gain Control), 3D DNR (Digital Noise Reduction), and Digital Detail Enhancement for outstanding image enhancement. The 4 MP optical sensor provides outstanding color video in very dim environments down to 0.0089 lux, and built-in IR illumination allows black and white optical surveillance in zero-light conditions up to 131 ft (40 m).

This camera series is able to measure an object's temperature at a high accuracy in real time. It is suitable for use in areas that require greater security measures such as airports.

Available models:
DS-2TD2617B-6/PA



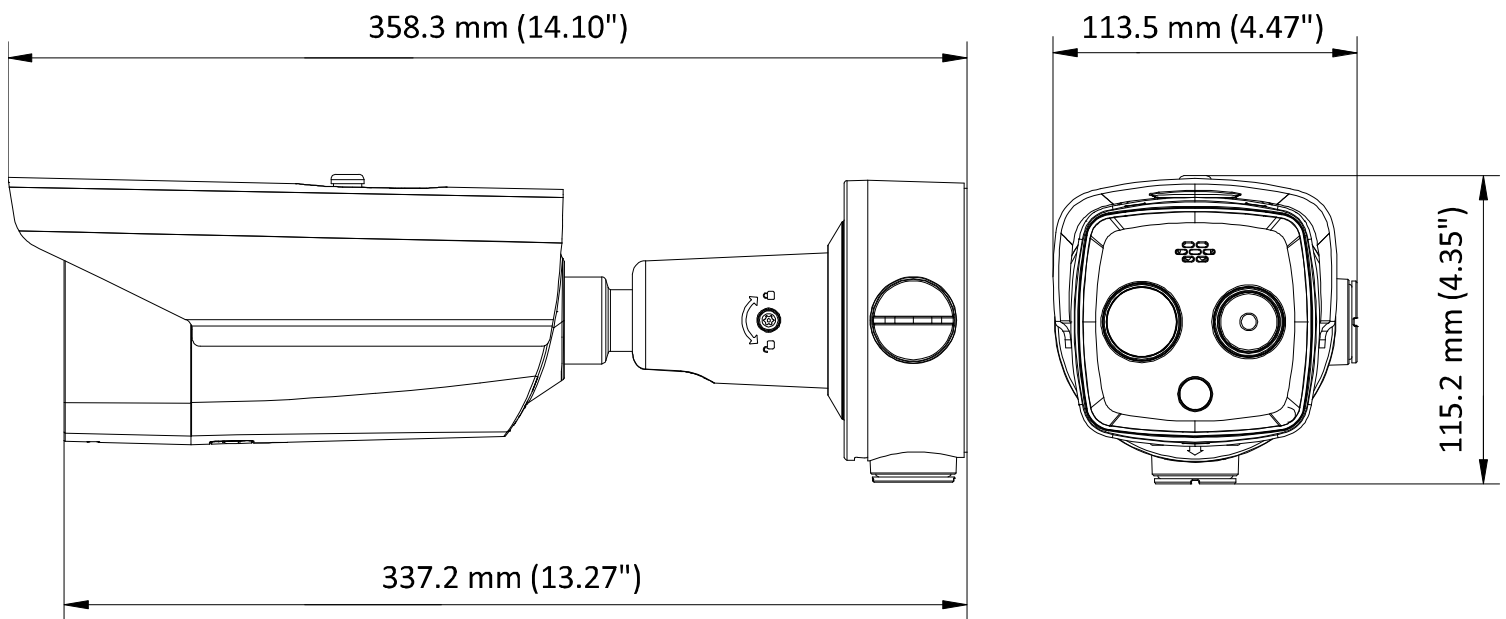
¹ **U.S. Disclaimer:** Hikvision USA Inc. products depicted herein are not FDA approved medical devices and are not intended for use in the diagnosis of disease or other conditions, or in the cure, mitigation, treatment, or prevention of disease. When configured correctly, the Hikvision products discussed herein can identify elevated human skin-surface temperature relative to a sample population.

Canada Disclaimer: Hikvision's Thermographic Cameras are designed for immediate detection and preliminary screening of elevated skin-surface temperature in high-traffic areas. When measuring core body temperature, please verify through the use of clinical measurement devices and/or by consulting a medical professional. Hikvision's Thermographic Cameras must be used in accordance with local laws and regulations.


Specifications

DS-2TD2617B-6/PA	
Thermal Module	
Image Sensor	Vanadium oxide uncooled focal plane arrays
Maximum Resolution	160 x 120 (output image resolution is 320 x 240)
Pixel Interval	17 μ m
Response Waveband	8 μ m to 14 μ m
NETD (Noise Equivalent Temperature Difference)	≤ 40 mK (@ 25 $^{\circ}$ C, F# = 1.1)
Lens (Focal Length)	6.2 mm
IFOV	2.74 mrad
Field of View	25 $^{\circ}$ x 18.7 $^{\circ}$ (H x V)
Minimum Focusing Distance	1.97 ft (0.6 m)
Aperture	f/1.1
Temperature Measurement	3 temperature measurement rule types, 21 rules in total (10 points, 10 areas, and 1 line)
Temperature Accuracy	w/DS-2TE127-G4A Blackbody
	w/o DS-2TE127-G4A Blackbody
Optical Module	
Maximum Image Resolution	2688 x 1520
Image Sensor	1/2.7" progressive scan CMOS
Minimum Illumination	Color: 0.0089 lux @ (f/1.6, AGC on), B/W: 0.0018 lux @ (f/1.6, AGC on)
Shutter Speed	1 s to 1/100,000 s
Lens (Focal Length)	8 mm
Field of View	39.42 $^{\circ}$ x 22.14 $^{\circ}$ (H x V)
WDR	120 dB
Day/Night	IR cut filter with auto switch
Image Function	
Bi-Spectrum Image Fusion	Fusion view of thermal view and overlaid details of the optical channel
Picture-in-Picture	Combines details of thermal and optical image PIP, overlay thermal image on optical image
Infrared	
IR Distance	Up to 131 ft (40 m)
IR Intensity and Angle	Automatically adjusted
Smart Features	
Face Detection	Detect and measure temperatures of up to 30 faces at a time
Face Mask Detection	Detects up to 30 individuals at a time not wearing masks
Voice Alarm	Camera plays pre-recorded messages upon temperature and mask alarms using its built-in speaker
Network	
Main Stream	Optical: 30 fps (2688 x 1520, 1920 x 1080, 1280 x 720)
	Thermal: 25 fps (1280 x 720, 704 x 576, 640 x 480, 352 x 288, 320 x 240)
Sub-Stream	Optical: 30 fps (704 x 480, 352 x 240, 176 x 120)
	Thermal: 25 fps (704 x 576, 352 x 288, 320 x 240)
Video Compression	H.265/H.264/MJPEG
Audio Compression	G.711u/G.711a/G.722.1/MP2L2/G.726/PCM
Protocols	IPv4/IPv6, HTTP, HTTPS, 802.1x, QoS, FTP, SMTP, UPnP, SNMP, DNS, DDNS, NTP, RTSP, RTCP, RTP, TCP, UDP, IGMP, ICMP, DHCP, PPPoE
Simultaneous Live Views	Up to 20
User/Host Level	Up to 32 users, 3 levels: administrator, operator, user
Security Measures	User authentication (ID and PW), MAC address binding, HTTPS encryption, IEEE 802.1x, access control, IP address filtering
Integration	
Alarm Input	2-ch inputs (0-5 VDC)
Alarm Output	2-ch relay outputs, alarm response actions configurable
Alarm Action	SD recording/relay output/smart capture/FTP upload/e-mail linkage/audio alarm/strobe light alarm
Audio Input	1 x 3.5 mm mic in/line in interface, line input: 2 to 2.4 V [p-p], output impedance: 1K Ω \pm 10%
Audio Output	Linear level, impedance: 600 Ω
Reset	1 x reset button
Communication Interface	1 x RJ-45 10M/100M self-adaptive Ethernet interface, 1 x RS-485 interface
SD Memory Card	Built-in card slot supports microSD/SDHC/SDXC card (up to 256 GB), supports manual/alarm recording
Application Programming	Open-ended API, supports ISAPI, HIKVISION SDK and third-party management platform
Client	iVMS-4200, Hik-Connect
Web Browser	IE 9+, Chrome 31-44, Firefox 30-51, Safari 5.02+ (Mac)
General	
Menu Language	32 languages: English, Russian, Estonian, Bulgarian, Hungarian, Greek, German, Italian, Czech, Slovak, French, Polish, Dutch, Portuguese, Spanish, Romanian, Danish, Swedish, Norwegian, Finnish, Croatian, Slovenian, Serbian, Turkish, Korean, Traditional Chinese, Thai, Vietnamese, Japanese, Latvian, Lithuanian, Portuguese (Brazil)
Power	12 VDC \pm 20%, two-core terminal block PoE (802.3af, class 3)
Power Consumption	12 VDC \pm 20%: 0.65 A, maximum 7.5 W PoE (802.3af, class 3): 42.5 V to 57 V, 0.14 A to 0.22 A, maximum 8 W
Working Temperature/Humidity	Temperature: 50 $^{\circ}$ to 95 $^{\circ}$ F (10 $^{\circ}$ to 35 $^{\circ}$ C), indoor and windless environment use only Humidity: 95% or less (non-condensing)
Protection Level	IP66 standard TVS 6000 V lightning protection, surge protection, voltage transient protection
Dimensions	14.10" x 4.47" x 4.53" (358.3 mm x 113.5 mm x 115.2 mm)
Weight	Approximately 3.88 lb (1.76 kg)




Dimensions



Accessories

NOT INCLUDED					INCLUDED
					
DS-2TE127-G4A Blackbody Calibration Source	PM Pole Mount	CM Corner Mount	DS-2907ZJ Tripod	DS-2909ZJ Bullet Tripod Adapter	CB130 Conduit Base

Requires DS-2909ZJ

NOT INCLUDED		
		
DS-2922ZJ Floor Mount	DS-2921ZJ-M Pendent Mount	DS-2921ZJ-S Pendent Mount

Requires DS-2909ZJ