

DS-2PT5326IZ-DE

8 MP H.265 PanoVu Mini Series Panoramic + PTZ IR Outdoor Camera



Hikvision DS-2PT5326IZ-DE (5mm-50 mm) (4 mm) PanoVu Mini Series IR Network Outdoor PTZ Camera is able to capture 240° images with the panoramic cameras, as well as close-up images with the PTZ camera.

Available Models:

DS-2PT5326IZ-DE: (5mm-50 mm) (4 mm)

Panoramic Camera

- 3 x 1/2.8" Progressive Scan CMOS
- 3-ch 1920 × 1080 @ 20 fps
- Horizontal FOV: 80.7° × 3 Vertical FOV: 43.5°
- 30 m IR Radius

PTZ Camera

- 1/2.8" Progressive Scan CMOS
- 1920 × 1080 @ 20 fps
- 10× Optical Zoom, 8× Digital Zoom
- 164 ft (50 m) IR Range

System Functions

- 3 Panoramic Images + 1 Close-Up Image
- 3 Cameras Slide 0° to 270°, Tilt/Rotate 15° to 55°
- 1-ch Audio Input/Output
- 1-ch Alarm Input/Output
- Alarm Linkage
- 256 GB MicroSD Slot
- H.265



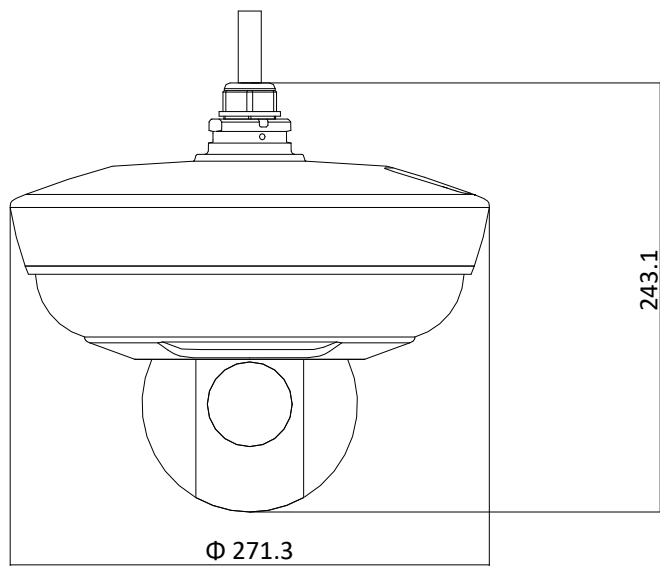
Specifications

| DS-2PT5326IZ-DE | | |
|--|---|--|
| Panoramic Camera | | |
| Image Sensor | Three 1/2.8" progressive scan CMOS | |
| Minimum Illumination | Color: 0.001 lux @ (f/1.6, AGC on) | |
| | B/W: 0.0005 lux @ (f/1.6, AGC on) 0 lux with IR | |
| Shutter Speed | 1/30 s to 1/30,000 s | |
| Day/Night | IR cut filter | |
| Gain | Auto/Manual | |
| WDR | Digital WDR | |
| Smart Image Enhancement | HLC/BLC/3D DNR/Defog/Regional Exposure | |
| White Balance | Auto/Manual/ATW (Auto-Tracking White Balance)/Indoor/Outdoor/Fluorescent Lamp/Sodium Lamp | |
| Privacy Mask | 4 × 3 programmable privacy masks | |
| Focal Length | 4 mm | |
| Aperture Range | f/1.6 | |
| FOV | Horizontal field of view: 80.7° × 3 | |
| | Vertical field of view: 43.5° | |
| IR Radius | 98 ft (30 m) | |
| PTZ Camera | | |
| Image Sensor | 1/2.8" progressive scan CMOS | |
| Minimum Illumination | Color: 0.001 lux @ (f/1.6, AGC on) | |
| | B/W: 0.0005 lux @ (f/1.6, AGC on) 0 lux with IR | |
| Shutter Speed | 1/30 s to 1/30,000 s | |
| Day/Night | IR cut filter | |
| Gain | Auto/Manual | |
| WDR | Digital WDR | |
| Smart Image Enhancement | HLC/BLC/3D DNR/Defog/Regional Exposure/Regional Focus | |
| White Balance | Auto/Manual/ATW (Auto-Tracking White Balance)/Indoor/Outdoor/Fluorescent Lamp/Sodium Lamp | |
| Privacy Mask | 8 programmable privacy masks | |
| Digital Zoom | 8x | |
| Focus Mode | Auto/Semi-Automatic/Manual | |
| Focal Length | 5 mm to 50 mm, 10x optical zoom | |
| Zoom Speed | Approximately 2.5 s (optical, wide-tele) | |
| FOV | Horizontal field of view: 58.6° to 6.4° (wide-tele) | |
| Minimum Working Distance | 10 mm to 1500 mm (wide-tele) | |
| Aperture Range | f/1.6 to f/3.0 | |
| Pan and Tilt Range | Pan: 0° to 340°; tilt: 0° to 90° | |
| Pan and Tilt Speed | Pan speed: 0.1°/s to 60°/s (configurable), preset speed: 60°/s Tilt speed: 0.1°/s to 60°/s (configurable), preset speed: 60°/s | |
| 3D Positioning | Supported | |
| Proportional Zoom | Supported | |
| Preset Number | 300 | |
| Park Action | Preset | |
| Power-Off Memory | Supported | |
| PTZ Status Display | Supported | |
| Preset Freezing | Supported | |
| Scheduled Task | Preset/Dome Reboot/Dome Adjust | |
| IR Distance | 50 m | |
| Dual-VCA | Supported | |
| Smart Event Detection | Audio exception detection, intrusion detection, line crossing detection | |
| System | | |
| | PTZ Linkage | Supported |
| | SVC | Supported |
| | ROI | Main stream and sub-stream respectively supports eight fixed areas |
| Video Compression (Sub-Stream Enabled) | Panoramic Camera | Main stream: H.265/H.264 Sub-stream: H.265/H.264 H.264 with Main Profile/High Profile, H.265 with Main Profile |
| | PTZ Camera | Main stream: H.265/H.264 Sub-stream: H.265/H.264/MJPEG H.264 with Main Profile/High Profile, H.265 with Main Profile |
| | Video Bitrate | 32 Kbps to 16,384 Kbps |
| | Audio Compression | G.711alaw/G.711ulaw/G.722.1/G.726/MP2L2 G.711alaw/G.711ulaw: 64 Kbps G.722.1/G.726: 16 Kbps MP2L2: 32 Kbps/64 Kbps/128 Kbps |
| Resolution (Sub-Stream Enabled) | Panoramic Camera | Main Stream 20 fps (1920 × 1080, 1280 × 960, 1280 × 720) Sub-Stream 20 fps (704 × 480, 640 × 480, 352 × 240) |
| | PTZ Camera | Main Stream 20 fps (1920 × 1080, 1280 × 960, 1280 × 720) Sub-Stream 20 fps (704 × 480, 640 × 480, 352 × 240) |
| | Resolution (Sub-Stream Not Enabled) | Panoramic camera: Main stream: 30 fps (1920 × 1080, 1280 × 960, 1280 × 720, 704 × 480, 640 × 480, 352 × 240) PTZ camera: Main stream: 30 fps (1920 × 1080, 1280 × 960, 1280 × 720, 704 × 480, 640 × 480, 352 × 240) |
| | Basic Event Detection | Motion Detection, Video Tampering Detection, Exception |

Specifications (continued)

| Network | |
|-------------------------|---|
| Smart Record | ANR (Automatic Network Replenishment) |
| Network Storage | Built-in memory card slot, supports microSD/SDHC/SDXC, up to 256 GB |
| Protocols | IPv4/IPv6, HTTP, HTTPS, 802.1x, QoS, SMTP, UPnP, SNMP, DNS, DDNS, NTP, RTSP, RTCP, RTP, TCP/IP, DHCP, PPPoE, Bonjour |
| API | Open-ended, support ONVIF, ISAPI, and CGI, supports Hikvision SDK and third-party management platform |
| Simultaneous Live Views | Up to 4 × 4 channels |
| User/Host | Up to 32 users 3 levels: Administrator, Operator, and User |
| Security Measures | User authentication (ID and PW), host authentication (MAC address); HTTPS encryption; IEEE 802.1x port-based network access control; IP address filtering |
| Client | iVMS-4200, iVMS-4500, Hik-Connect |
| Web Browser | IE8 to 11, Chrome 31.0 to 44, Firefox 30.0 to 51 |
| Interface | |
| Network Interface | 1 RJ-45 10 M/100 M Ethernet |
| Audio Interface | 1-ch audio input and 1-ch audio output |
| Alarm Interface | 1-ch alarm input and 1-ch alarm output |
| General | |
| Compatible NVRs | Fully compatible with Hikvision E Series, I Series, and F Series NVRs |
| Power | 12 VDC and PoE+ (802.3 at, class 4) Maximum 27 W (maximum 9 W for IR) |
| Working Temperature | -30° to 65° C (-22° to 149° F), with heater on |
| Working Humidity | ≤90% |
| Protection Level | IP66, TVS 4000V lightning protection, surge protection, and voltage transient protection |
| Material | PC and aluminum alloy |
| Dimensions | Ø271.3 mm × 243.1 mm (Ø10.68" × 9.57") |
| Weight | Approximately 3.2 kg (7.05 lb) |

Dimensions



Unit: mm

Accessories (Not Included)

| | | | |
|---------------------------------------|--|---------------------------------------|---|
| | | | |
| WMP-L Wall Mounting Bracket | PMP Vertical Pole Mounting Bracket | CMP Corner Mounting Bracket | CPMS Pendant Mounting Bracket |