

DS-2DF6A836XS-AEL(T2) 8 MP 36x Network Speed Dome



Hikvision DS-2DF6A836XS-AEL(T2) 8 MP 36x Network Speed Dome incorporates a 1/1.8" progressive scan CMOS chip. With a 36x optical zoom lens, the camera offers more details over expansive areas. This camera can be used for wide ranges of high-definition such as rivers, forests, roads, railways, airports, ports, squares, parks, scenic spots, stations, large venues, etc.

Available Model

DS-2DF6A836XS-AEL(T2)

- 1/1.8" Progressive Scan CMOS
- Up to 3840 × 2160 Resolution
- Minimum Illumination:
Color: 0.005 Lux @ (f/1.2, AGC On)
B/W: 0.0005 Lux @ (f/1.2, AGC On)
- 36x Optical Zoom, 16x Digital Zoom
- 120 dB WDR, 3D DNR, EIS, HLC
- 24 VAC and Hi-PoE
- H.265+/H.265 Video Compression
- Rapid Focus
- IK10, IP67
- Detects up to 30 Faces at Same Time
- Detects, Tracks, Captures, Grades, Selects Face In Motion, Outputs Best Face Picture
- Vehicle Detection (License Plate Number, Vehicle Model, Vehicle Color)
- Person Arming: Real-Time Modeling and Comparison; Arms, Tracks Predefined Persons
- Vehicle Arming: Arms, Tracks Predefined Vehicles



Specifications

DS-2DF6A836XS-AEL(T2)	
Camera Module	
Image Sensor	1/1.8" progressive scan CMOS
Minimum Illumination	Color: 0.005 lux @ (f/1.2, AGC on), B/W: 0.0005 lux @ (f/1.2, AGC on)
Shutter Speed	1/1 s to 1/30,000 s
Slow Shutter	Yes
Focus	Semi-auto, manual, auto
Day/Night	ICR
BLC	Yes
WDR	120 dB WDR
HLC	Yes
3D DNR	Yes
EIS	Yes. Built-in gyroscope to improve EIS performance.
Regional Exposure	Yes
Regional Focus	Yes
Image Settings	Saturation, brightness, contrast, sharpness
Image Parameters Switch	Yes
White Balance	Auto, ATW, sodium lamp, fluorescent lamp, indoor, outdoor, MWB
Digital Zoom	16x
Optical Zoom	36x
Privacy Mask	Up to 24 masks, mosaic mask, mask color configurable, rectangle region
SNR	≥55 dB
General Function	Mirror, password protection, video tampering alarm, watermark, IP address filter
Optical Defog	Yes
Lens	
Focal Length	6.0 mm to 216 mm, 36x optical
Zoom Speed	Approximately 4.6 s
F0V	Horizontal field of view: 56.6° to 2.0° (wide-tele), Vertical field of view: 33.7° to 1.2° (wide-tele) Diagonal field of view: 63.4° to 2.3° (wide-tele)
Minimum Working Distance	100 to 1500 mm
Aperture	f/1.2
PTZ	
Movement Range (Pan)	360°
Movement Range (Tilt)	-20° to 90° (auto flip)
Pan Speed	Pan speed: configurable from 0.1° to 300°/s; preset speed: 540°/s
Tilt Speed	Tilt speed: configurable from 0.1° to 240°/s, preset speed 400°/s
Proportional Zoom	yes
Presets	300
Patrol Scan	8 patrols, up to 32 presets for each patrol
Pattern Scan	4 pattern scans, record time over 10 minutes for each scan
Power-off Memory	Yes
Park Action	Preset, pattern scan, patrol scan, auto scan, tilt scan, random scan, frame scan, panorama scan
3D Positioning	Yes
PTZ Status Display	Yes
Preset Freezing	Yes
Scheduled Task	Preset, pattern scan, patrol scan, auto scan, tilt scan, random scan, frame scan, panorama scan, dome reboot, dome adjust, aux output
Video	
Maximum Resolution	3840 × 2160
Main Stream	50 Hz: 25 fps (3840 × 2160, 2560 × 1440, 1920 × 1080, 1280 × 960, 1280 × 720) 60 Hz: 30 fps (3840 × 2160, 2560 × 1440, 1920 × 1080, 1280 × 960, 1280 × 720)
Sub-Stream	50 Hz: 25 fps (704 × 576, 640 × 480, 352 × 288) 60 Hz: 30 fps (704 × 480, 640 × 480, 352 × 240)
Third Stream	50 Hz: 25 fps (1920 × 1080, 1280 × 960, 1280 × 720, 704 × 576, 640 × 480, 352 × 288), 60 Hz: 30 fps (1920 × 1080, 1280 × 960, 1280 × 720, 704 × 480, 640 × 480, 352 × 240)
Video Compression	H.265, H.264, MJPEG
H.264 Type	Baseline profile, main profile, high profile
H.265 Type	Main profile
H.264+	Yes
H.265+	Yes
SVC	Yes
ROI	Dynamic face tracking, fixed region, dynamic license plate tracking
Audio	
Audio Compression	G.711alaw, G.711ulaw, G.722.1, G.726, MP2L2, PCM
Audio Bit rate	64 Kbps (G.711)/16 Kbps (G.722.1)/16 Kbps (G.726)/32 Kbps to 192 Kbps (MP2L2)

Specifications (continued)

DS-2DF6A836XS-AEL(T2)	
Smart Features	
Face Capture	Detects up to 30 faces at same time, detects, tracks, captures, grades, selects face in motion, and outputs best face picture
Face Comparison	Yes
Road Traffic Basic Event	Vehicle detection (license plate number, vehicle model, and vehicle color recognition)
Smart Event	Intrusion detection, line crossing detection, region entrance detection, region exiting detection, unattended baggage detection, object removal detection, vandal-proof alarm, audio exception detection
Smart Tracking	Manual tracking, event tracking, auto-tracking
Smart Record	ANR, dual-VCA
Alarm Linkage	Preset, patrol scan, pattern scan, memory card video recording, alarm output, send e-mail, notify surveillance center, upload to FTP
Smart Encoding	H.265+, H.264+, low bit rate, ROI
Perimeter Protection	Line crossing, intrusion, region entrance, region exiting, alarm triggering by specified target types (human and vehicle)
Network	
Network Storage	NAS (NFS, SMB/CIFS)
Protocols	IPv4/IPv6, HTTP, HTTPS, 802.1x, QoS, FTP, SMTP, UPnP, SNMP, DNS, DDNS, NTP, RTSP, RTCP, RTP, TCP/IP, UDP, IGMP, ICMP, DHCP, PPPoE, Bonjour
API	Open-ended API, ONVIF (Profile S, Profile G), ISAPI, Hikvision SDK, third-party management platform, ISUP
Simultaneous Live View User/Host	20/32
Smooth Streaming	Yes
Security Measures	Authenticated user name and password, MAC address binding, HTTPS encryption, 802.1x authenticated access, IP address filter
Client	iVMS-4200, HikCentral, Hik-Connect
Web Browser	IE 10+, Chrome 57+, Firefox 52+, Safari 12+
Interface	
Communication Interface	RJ-45, self-adaptive 10M/100M Ethernet port
On-Board Storage	Built-in memory card slot, supports microSD/SDHC/SDXC, up to 256 GB; NAS (NFS/SMB/CIFS), ANR
Alarm Input	7 alarm inputs
Alarm Output	2 alarm outputs
Audio Input	1 audio input
Audio Output	1 audio output, line level, impedance: 600 Ω
	RS-485 HIKVISION, Pelco-P, Pelco-D, self-adaptive
General	
Power	24 VAC ±25% (maximum 45 W, including maximum 6 W for heater), Hi-PoE (maximum 50 W, including maximum 6 W for heater)
Operating Conditions	Temperature: -40° to 70° C (-40° to 158° F), humidity: ≤95% non-condensing
Dimensions	Ø231.1 mm × 355.6 mm (Ø9.10" × 14")
Weight	Approximately 6 kg (13.23 lb)
Approval	
Protection	Lightning protection, surge protection and voltage transient protection, ±6 kV line to gnd, ±3 kV line to line, IEC61000-4-5, IP67 Standard, IK10

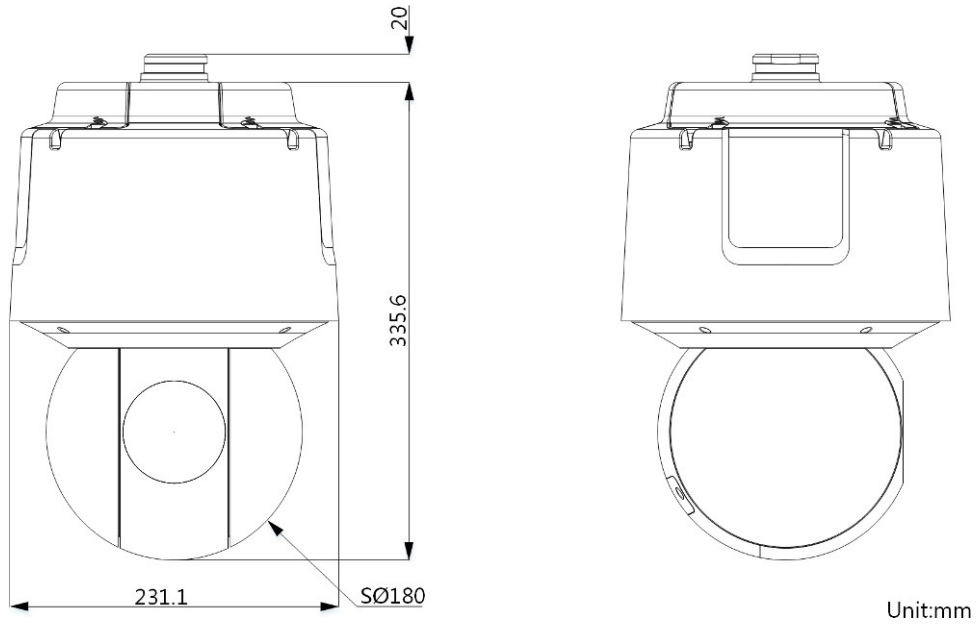
DORI

The DORI (detect, observe, recognize, identify) distance gives the general idea of the camera ability to distinguish persons or objects within its field of view.

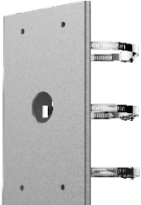
It is calculated based on the camera sensor specification and the criteria given by EN 62676-4: 2015.

DORI	Detect	Observe	Recognize	Identify
Definition	25 px/m	63 px/m	125 px/m	250 px/m
Distance (Tele)	4440 m (14566.9 ft)	1761.9 m (5780.5 ft)	888.0 m (2913.4 ft)	444.0 m (1456.7 ft)

Dimensions



Accessories

NOT INCLUDED			
			
CPM-S-G	RPM-G	CPM-L-G	CMP-JB-G
			
PMP-JB-G	JBPW-L-G	CPMPE-G	