

## WMSB

### Short Wall Mount with Junction Box



The bracket must be installed on a flat wall. The wall must be capable of supporting over three times as much as the total weight of the camera and the mount. Maximum load capacity of the bracket is 110 lbs (50 kg).

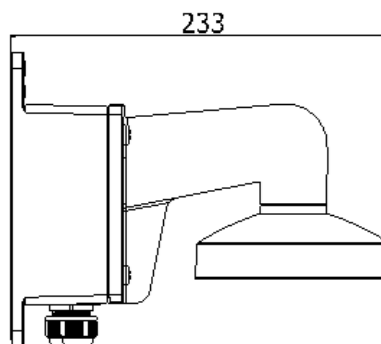
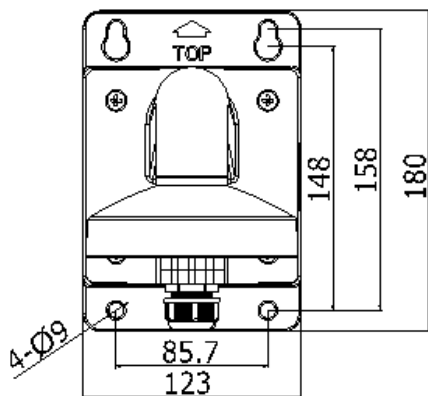
**Order Model:**  
WMSB

- Aluminum Alloy Material with Surface Spray Treatment
- Waterproof Design
- Black Finish

## Specifications

|                      | WMSB   |
|----------------------|--|
| Appearance           | Hikvision black                                  |
| Range of Application | Suitable for various pendant caps                |
| Material             | Aluminum alloy                                   |
| Dimensions           | 120 mm x 121 mm x 200 mm (4.72" x 4.76" x 7.87") |
| Weight               | 2.30 lbs (1.04 kg)                               |

## Dimensions



**NOTE:** The actual bracket may vary from the picture above.