

CM

Camera Corner Mount Adapter



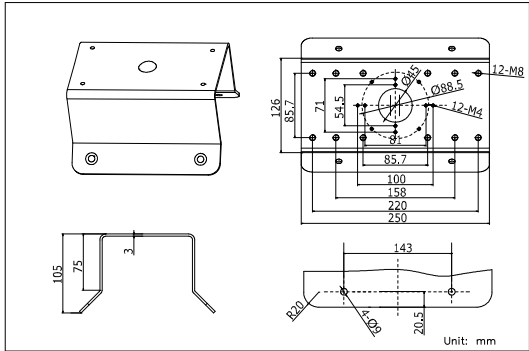
Specifications

	CM
Appearance	Hikvision white
Range of Application	It can be used with some wall mount bracket
Material	Aluminum alloy
Dimensions	126 mm × 105 mm × 250 mm (4.96" x 4.13" x 9.84")
Weight	1950 g (4.3 lbs)

Features

- For Mounting on Corner
- Construction Aluminum Die-Cast Alloy

Dimensions



NOTES: The bracket should be installed on flat surface.

The site of screw hole should be noticed when using with wall mount bracket.

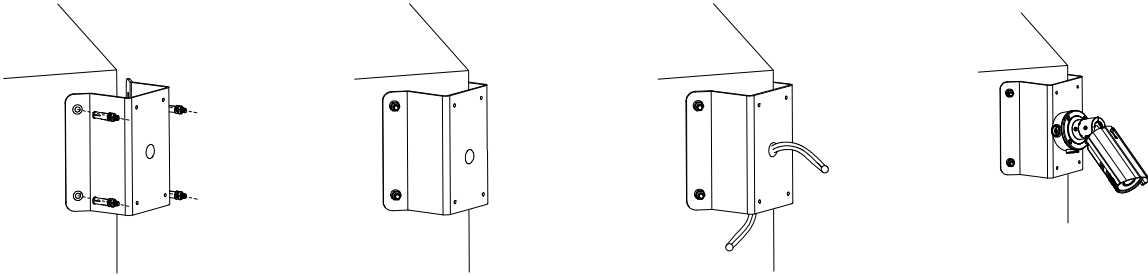
Load capacity of wall corner should be more than three times the weight of camera and bracket.

Load capacity of bracket is 10 kg.

Installation

1. Choose appropriate wall surface and use expansion screws to fix the bracket.
2. Screw down the expansion screws.
3. Complete the bracket installation and wire threading.

OPTIONAL: This bracket can be used with some wall mount brackets to realize a corner mount, as follows:



NOTE: The actual bracket may vary from the picture above.

Order Model

CM