

## CB135B Conduit Base



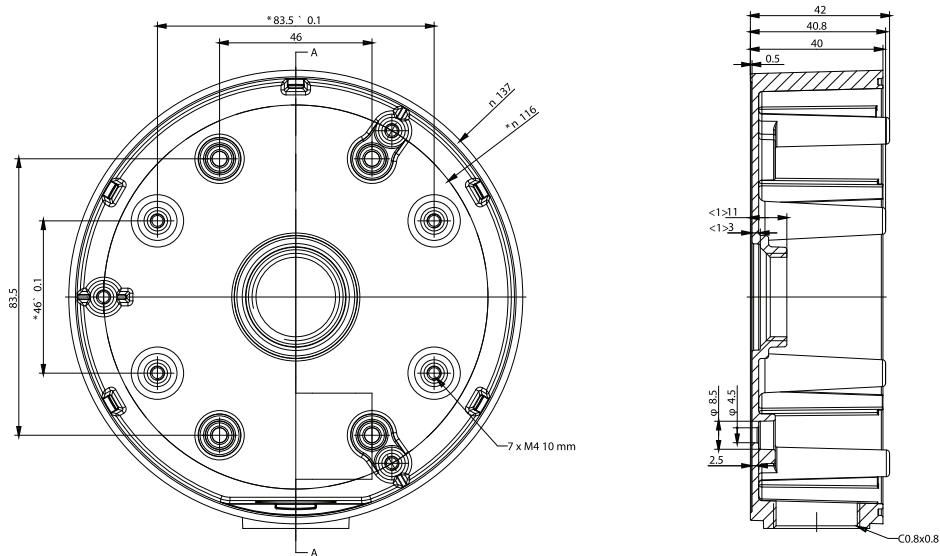
- Aluminum Alloy Material with Surface Spray Treatment
- Waterproof Design

CB135B	
Appearance	Black
Application	Wire intake box
Material	Aluminum alloy
Dimension	Ø5.39" x 1.65" (Ø137 mm x 42 mm)
Weight	9.88 ozs (280 g)

**NOTES:** Pay attention to color matching and special installation instructions on back of this sheet for select cameras.

**Available model**  
CB135B

### Dimensions



**NOTE:** The actual bracket may vary from the picture above.

## Special Installation Instructions for Select Cameras

Some cameras (e.g., DS-2CD2385G1-IB) require the following steps to install a CB135B.

1. Twist to remove trim ring from camera mounting base.
2. Loosen the pressure clamp locking screw on the mounting base.
3. Slide the pressure clamp away from the mounting base.
4. Detach mounting base from camera.
5. Position mounting base on CB135B conduit base.
6. Align four screw holes on the mounting base to the four inner screw hole posts on the CB135B.
7. Attach mounting base to the CB135B with four screws.
8. Restore the assembly:
  - 1) Re-position the pressure clamp.
  - 2) Re-tighten the pressure clamp lock screw.
  - 3) Place camera body on mounting base.
  - 4) Re-attach and secure the trim ring.

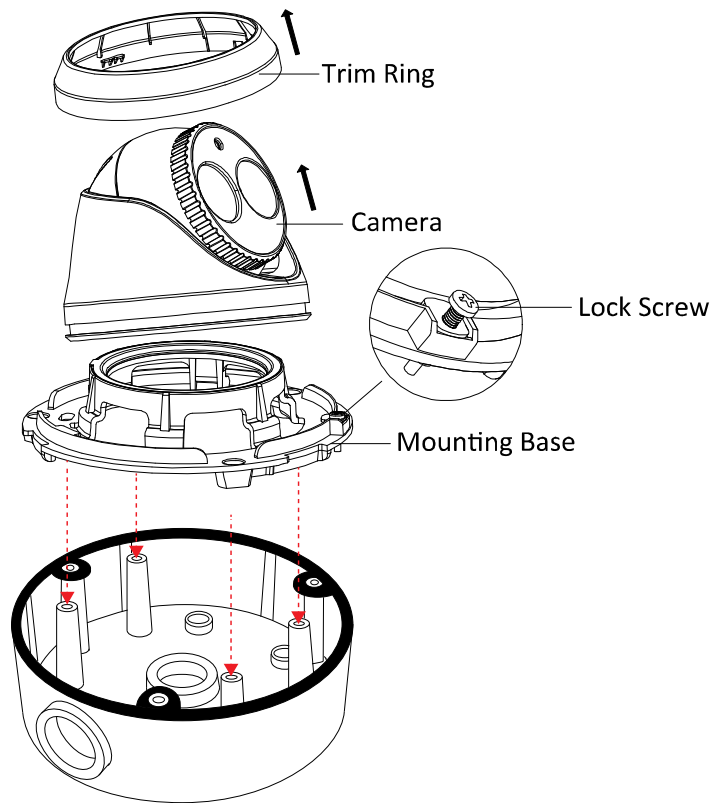


Figure 1, Attaching CB135B to a Select Camera Model (Typical)



**NOTE:** Do not use the three outer screw holes on the CB135B rim; you must use the four inner screw hole posts.