

DS-KABH8350-T

Video Intercom Table Bracket



The DS-KABH8350-T table bracket is designed to mount the DS-KH8350-WTE1 Indoor Station. It is manufactured out of high-quality SUS430 steel.

Available Models:

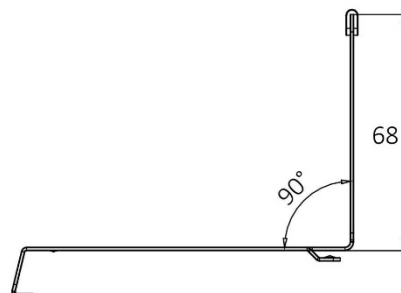
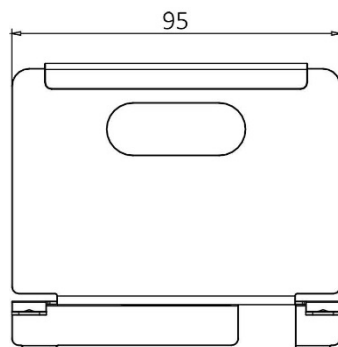
DS-KABH8350-T

- SUS430 Steel Material
- Conveniently Designed for the Mounting of the DS-KH8350-WTE1 Indoor Station

Specifications

DS-KABH8350-T	
Material	SUS430, silica gel
Working Temperature	14° F to 55° F (-10° C to 55° C)
Working Humidity	10% to 90%
Dimensions (L x W x D)	3.74" x 3.27" x 3.89" (95 mm x 83 mm x 98.9 mm)

Dimensions



Unit : mm