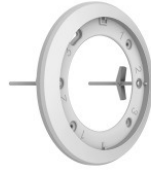


RCM-3

In-Ceiling Mount Bracket for Dome Camera

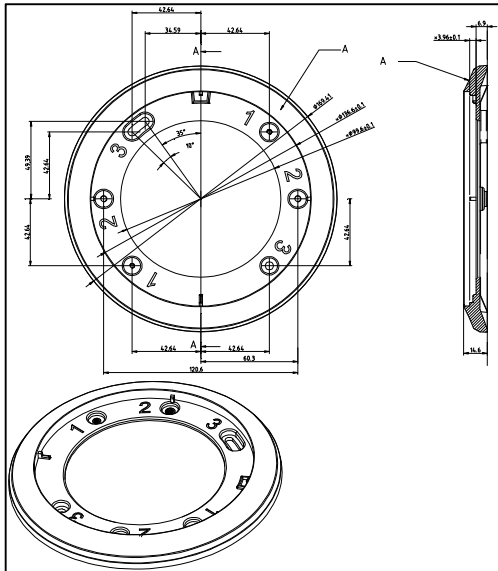


	RCM-3
Appearance	Hikvision white
Material	Plastic
Dimension	Φ169.4 mm × 14.6 mm (6.67" x .574")
Weight	60 g (2.12 ozs)

Features

- Enhanced Plastic Material
- Easy Installation

Dimensions



NOTE:

Install mount on flat ceiling.

Waterproof rubber is necessary for outdoor application.

The ceiling must be capable of supporting over three times as much as the total weight of the camera and the mount.

Maximum load capacity of the mount is 4.5 kg (9.92 lbs).

NOTE: The actual bracket may vary from the picture above.

Fits the Following Cameras

DS-2CE56C5T-AVFIR

DS-2CE56D5T-AVFIR

Order Model

RCM-3