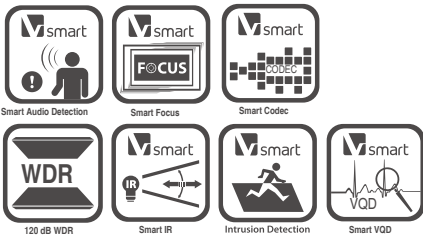


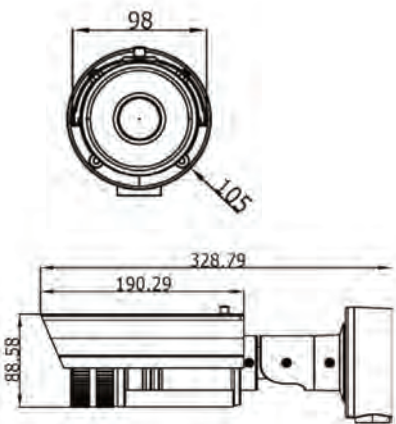
DS-2CD4212FWD-IZH8 1.3 MP WDR IR Bullet Network Camera



Key Features

- Up to 1280 x 960 High Resolution
- HD720p Video
- Smart Codec
- 120 dB WDR, 3D DNR
- Triple Streams
- On-Board Storage, Up to 128 GB
- Smart Focus: Motorized VF Lens
- Smart VQD
- Intrusion Detection
- Built-In Heater
- Defog
- 8 mm to 32 mm Motorized VF Lens

Dimensions (unit: mm)



Camera	
Image Sensor	1/3" progressive scan CMOS
Minimum Illumination	0.014 lux @ f/1.4, AGC on, 0 lux with IR
Shutter Speed	1 s to 1/100,000 s
Slow Shutter	Yes
Lens	8 to 32 mm @ f/1.4, angle of view: 27.8° to 9.1°, motorized VF lens
Lens Mount	Ø14
Auto Iris	DC drive
Day/Night	ICR (Auto/Schedule/Alarm Trigger)
Digital Noise Reduction	3D DNR
Wide Dynamic Range	120 dB WDR
Compression Standard	
Video Compression	H.264/MPEG4/MJPEG
H.264 Codec Profile	Baseline profile/main profile/high profile
Video Bit Rate	32 Kbps to 16 Mbps
Image	
Maximum Resolution	1280 x 960
Frame Rate	60 Hz: 30 fps (1280 x 960), 30 fps (1280 x 720)
Third Stream	Independent setting, up to: 60 Hz: 30 fps (1280 x 960)
Image Settings	Rotate mode, saturation, brightness, contrast, grayscale
BLC	Yes, zone configurable
Defog	Yes
EIS	Yes
Picture Overlay	128 x 128, BMP 24-bit, zone configurable
ROI	Yes, up to 4 configurable areas for each of 3 streams
Network	
Network Storage	NAS
Alarm Trigger	Intrusion detection, defocus detection, motion detection, line crossing detection dynamic analysis, tampering alarm, network disconnect, IP address conflict, storage exception
Protocols	TCP/IP, ICMP, HTTP, HTTPS, FTP, DHCP, DNS, DDNS, RTP, RTSP, RTCP, PPPoE, NTP, UPnP, SMTP, SNMP, IGMP, 802.1X, QoS, IPv6, Bonjour
Security	User authentication, watermark, IP address filtering, anonymous access, reset
System Compatibility	ONVIF, PSIA, CGI, ISAPI
Interface	
RS-485	1 channel
Communication Interface	1 RJ-45 10M/100M Ethernet port
On-Board Storage	Built-in microSD/SDHC/SDXC slot, up to 128 GB
Reset Button	Yes
General	
Operating Conditions	-30° C to 60° C (-22° F to 140° F), humidity 95% or less (non-condensing) -40° C to 60° C (-40° F to 140° F), with smart heater on
Power Supply	12 VDC ±10%, PoE (802.3af)
Power Consumption	Maximum 12 W
IR Range	Up to 80 meters
Ingress Protection	IP66
Dimensions	98 mm x 105 mm x 328.8 mm (3.86" x 4.13" x 12.945")
Weight	1700 g (3.75 lbs)

Order Models

DS-2CD4212FWD-IZH8