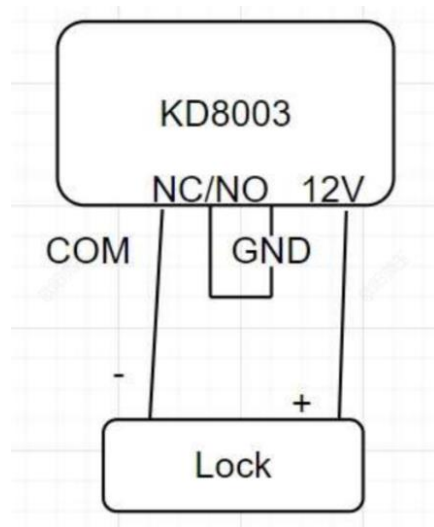


Non B version > B version intercom products MIGRATION GUIDE

Note: all versions' firmware cannot be mixed upgraded. How to identify B and non B version, please see the model name on label or on remote configuration->system maintenance.

Non B version	Description	B version	Description
DS-KD8003-IME1	<ul style="list-style-type: none"> ● Modular door station ● Not support WEB Interface ● Horizontal: 180° Vertical: 96° ● Not support direct power supply to the electric lock (max. 12V, 500mA) 	DS-KD8003-IME1(B)	<ul style="list-style-type: none"> ● Modular door station ● Support WEB Interface, ● Better waterproof performance because of new added waterproof pads around the lens ● Horizontal: 146°, Vertical: 82° ● support direct power supply to the electric lock (max. 12V, 500mA) ● Compatibility same as KD8003 non B version

- For the direct power supply to the electric lock, the current lock model which meets the requirements is DS-K4H250S.
The connection's circuit is as following:



- The real connection's scene is as following:

